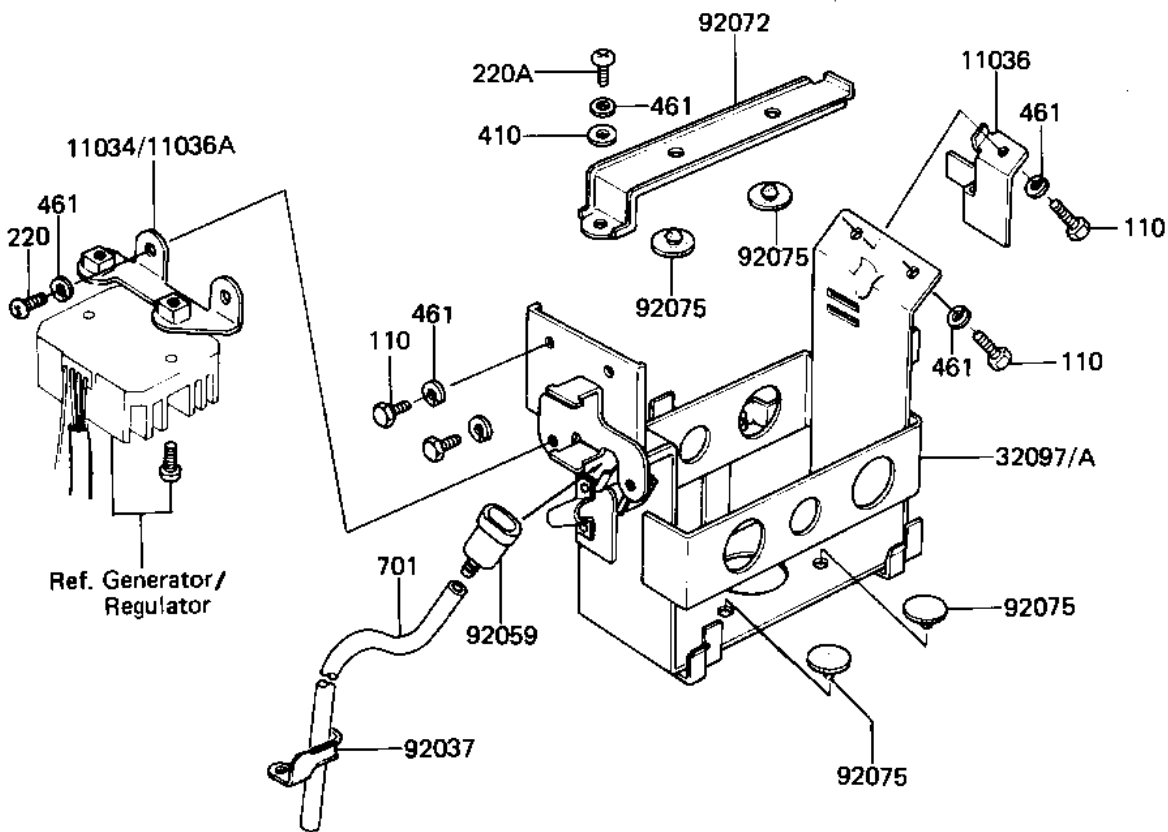
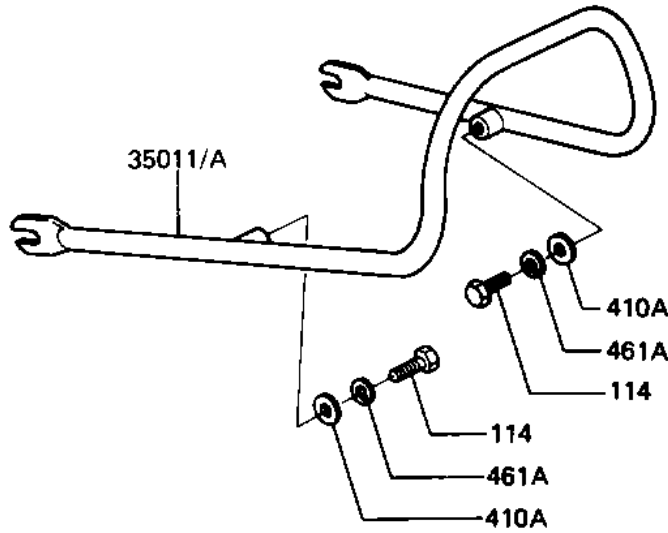


# 1981 LTD Belt PARTS DIAGRAM

BATTERY CASE ('81-'83 D2/D3/D4/D5)

F2132-0027



1  
1  
1  
1  
2  
2  
3  
3  
3  
3  
3  
3  
3

## 1981 LTD Belt PARTS LIST

BATTERY CASE ('81-'83 D2/D3/D4/D5)

| ITEM NAME                         | PART NUMBER | QUANTITY |
|-----------------------------------|-------------|----------|
| BRACKET-A,REGULATOR (Ref # 11034) | 11036-1105  | 1        |
| BRACKET-A,FUSE (Ref # 11036)      | 11036-1001  | 1        |
| CASE-BATTERY (Ref # 32097)        | 32097-1041  | 1        |
| STAY,REAR (Ref # 35011)           | 35011-1033  | 1        |
| BAND,BATTERY (Ref # 92072)        | 92072-1034  | 1        |
| DAMPER,BATTERY CASE (Ref # 92075) | 92075-261   | 6        |
| BOLT-UPSET,6X16 (Ref # 110)       | 112G0616    | 4        |
| BOLT-SMALL-UPSET,8X16 (Ref # 114) | 115G0816    | 2        |
| SCREW PAN HEAD 6X12 (Ref # 220)   | 220B0612    | 2        |
| SCREW PAN HEAD 6X14 (Ref # 220A)  | 220B0614    | 1        |
| WASHER PLAIN 6MM (Ref # 410)      | 410B0600    | 1        |
| WASHER PLAIN 8MM (Ref # 410A)     | 410B0800    | 2        |
| WASHER SPRING 6MM (Ref # 461)     | 461F0600    | 7        |
| WASHER-SPRING,8MM (Ref # 461A)    | 461F0800    | 2        |