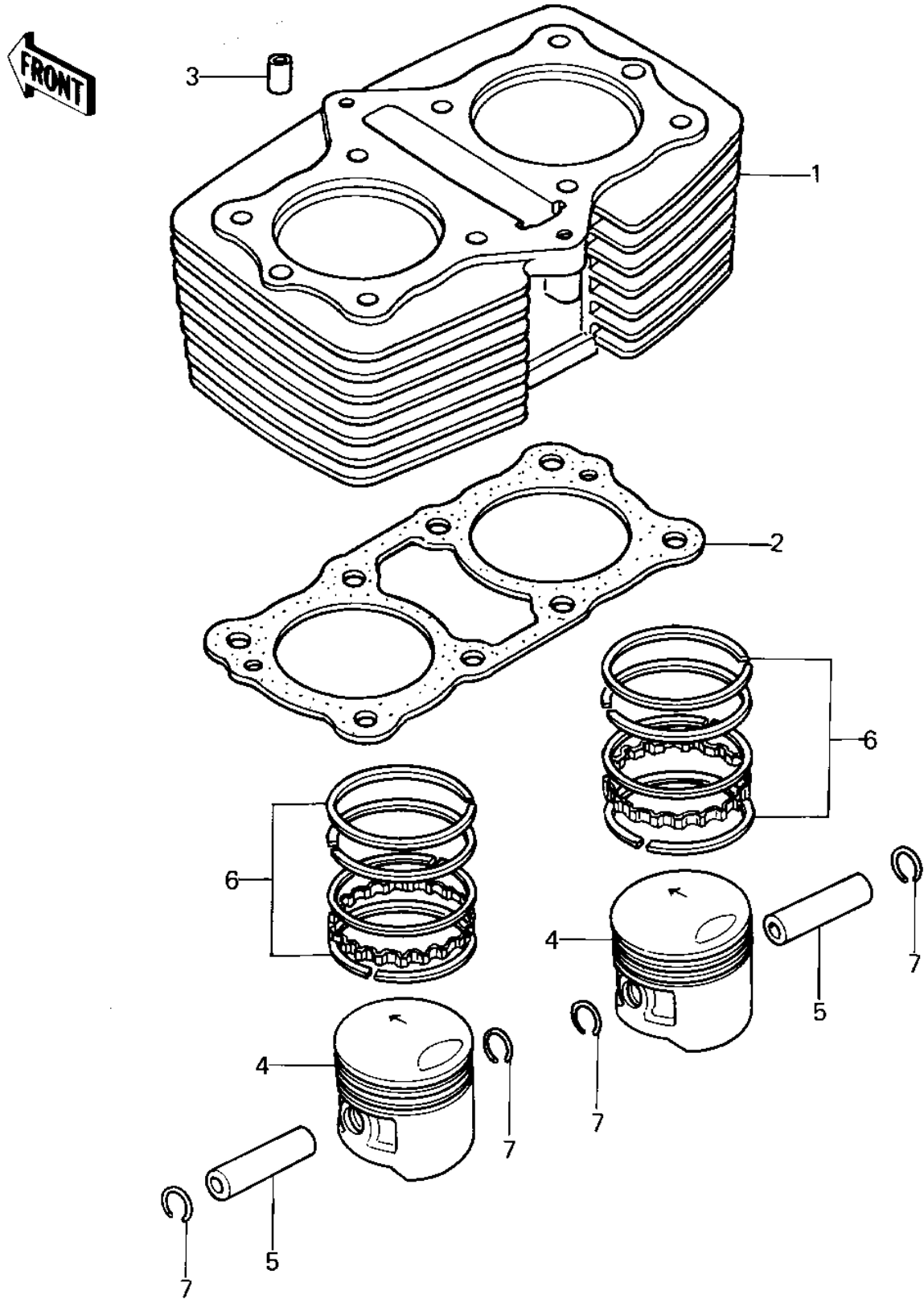


1980 LTD PARTS DIAGRAM

CYLINDER/PISTONS ('80 A1)



1980 LTD PARTS LIST

CYLINDER/PISTONS ('80 A1)

ITEM NAME	PART NUMBER	QUANTITY
CYLINDER ASSY (Ref # 1)	11006-1004	1
GASKET,CYLINDER BASE (Ref # 2)	11009-1176	1
PIN,DOWEL,10X8.2X14 (Ref # 3)	92043-1037	2
PISTON,STD (Ref # 4)	13001-1032	2
PISTON,0.020",O/S (Ref # 4)	13029-1014	(2
PISTON,0.040",O/S (Ref # 4)	13027-1015	(2
PIN-PISTON (Ref # 5)	13002-1011	2
RING SET,PISTON,STD (Ref # 6)	13008-5029	2
RING SET,0.020",O/S (Ref # 6)	13025-5015	(2
RING SET,0.040",O/S (Ref # 6)	13024-5015	(2
CIRCLIP PISTON PIN (Ref # 7)	92036-005	4