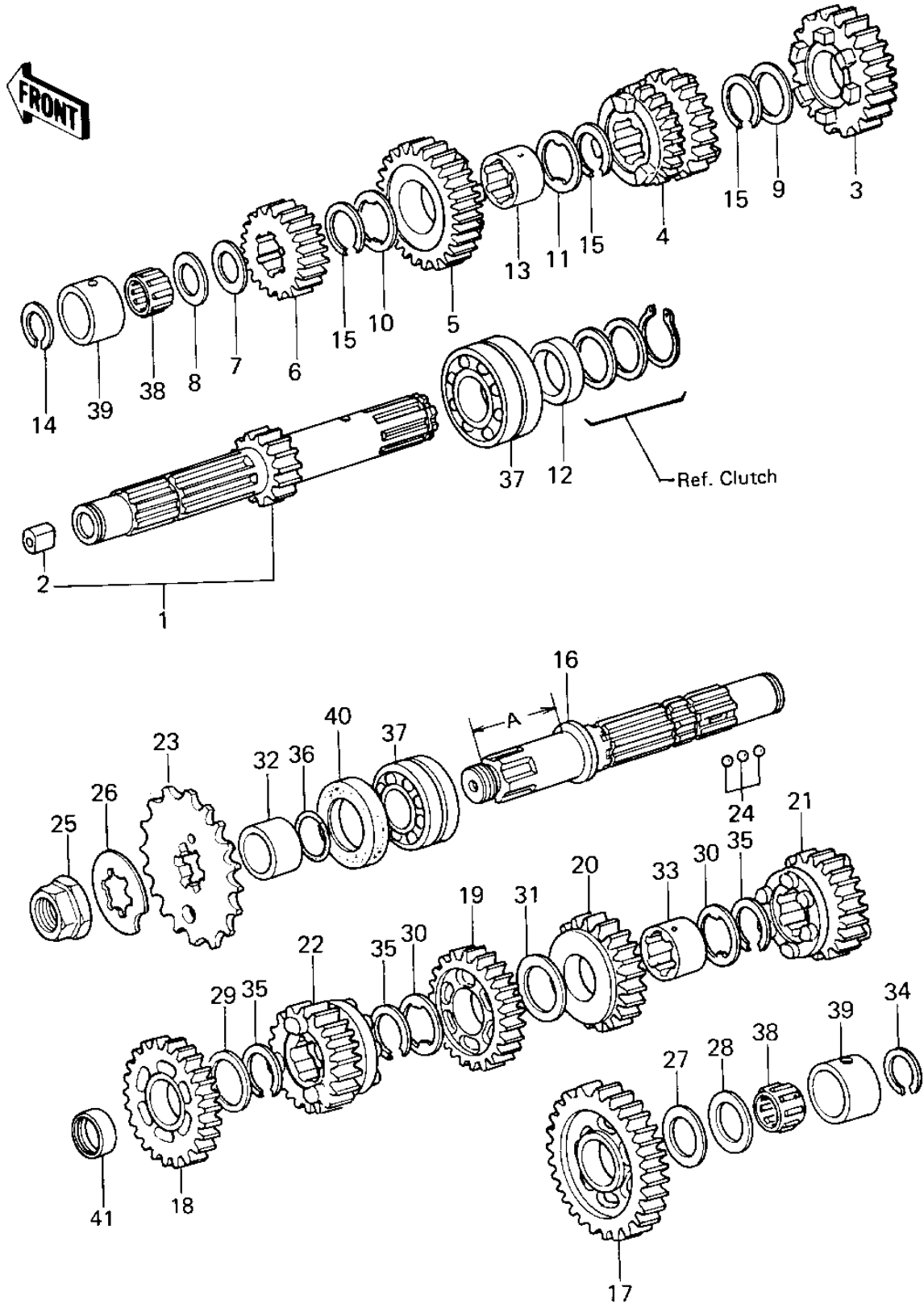


1980 LTD PARTS DIAGRAM

TRANSMISSION ('80 A1)



1980 LTD PARTS LIST

TRANSMISSION ('80 A1)

ITEM NAME	PART NUMBER	QUANTITY
SHAFT,DRIVE,13T (Ref # 1)	13127-1004	1
BUSHING,DRIVE SHAFT (Ref # 2)	92028-155	1
GEAR,INPUT5TH,23T (Ref # 3)	13129-1277	1
3RD-4TH GEAR,DRV SHFT (Ref # 4)	13129-1054	1
TOP GEAR,DRV SHAFT (Ref # 5)	13129-1055	1
2ND GEAR,DRV SHAFT (Ref # 6)	13129-1062	1
WASHER THRUST (Ref # 7)	92022-112	1
SHIM-KICK SHAFT (Ref # 8)	92022-144	AR
WASHER-PLAIN 25MM (Ref # 9)	92022-159	1
WASHER-LOCK (Ref # 10)	92024-033	1
WASHER-LOCK (Ref # 11)	92024-038	1
COLLAR (Ref # 12)	92027-289	1
BUSHING,OUTPUT 3RD GR (Ref # 13)	92028-1002	1
CIRCLIP (Ref # 14)	92033-015	1
CIRCLIP (Ref # 15)	92033-026	3
SHAFT,OUTPUT (Ref # 16)	13128-1015	1
LOW GEAR,OUTPUT SHAFT (Ref # 17)	13129-1056	1
2ND GEAR,OUTPUT,28T (Ref # 18)	13129-1172	1
3RD GEAR,OUTPUT SHAFT (Ref # 19)	13129-1058	1
4TH GEAR,OUTPUT SHAFT (Ref # 20)	13129-1059	1
5TH GEAR,OUTPUT SHAFT (Ref # 21)	13129-1060	1
TOP GEAR,OUTPUT SHAFT (Ref # 22)	13129-1061	1
ENGINE SPROCKET,15T (Ref # 23)	13144-1018	1
BALL STEEL 5/32' (Ref # 24)	600A0500	3
NUT,20MM (Ref # 25)	92015-1254	1
WASHER,SPLINE (Ref # 26)	92022-1083	1
WASHER THRUST (Ref # 27)	92022-112	1
SHIM-KICK SHAFT (Ref # 28)	92022-144	AR
WASHER-PLAIN 25MM (Ref # 29)	92022-159	1

1980 LTD PARTS LIST

TRANSMISSION ('80 A1)

ITEM NAME	PART NUMBER	QUANTITY
WASHER-LOCK (Ref # 30)	92024-038	2
WASHER,THRUST (Ref # 31)	92026-079	1
COLLAR,ENG SPROCKET (Ref # 32)	92027-288	1
BUSHING,OUTPUT GEAR (Ref # 33)	92028-1268	1
CIRCLIP (Ref # 34)	92033-015	1
CIRCLIP (Ref # 35)	92033-026	3
"O" RING (Ref # 36)	92055-035	1
BEARING,B,5205ANX4PX (Ref # 37)	92045-031	2
BRG,N,20R25139 (Ref # 38)	92046-044	2
RACE,OUT & DRV SHAFT (Ref # 39)	92048-1001	2
OIL SEAL SC325210 (Ref # 40)	92050-024	1
BUSHING,2ND GEAR (Ref # 41)	92028-1177	1