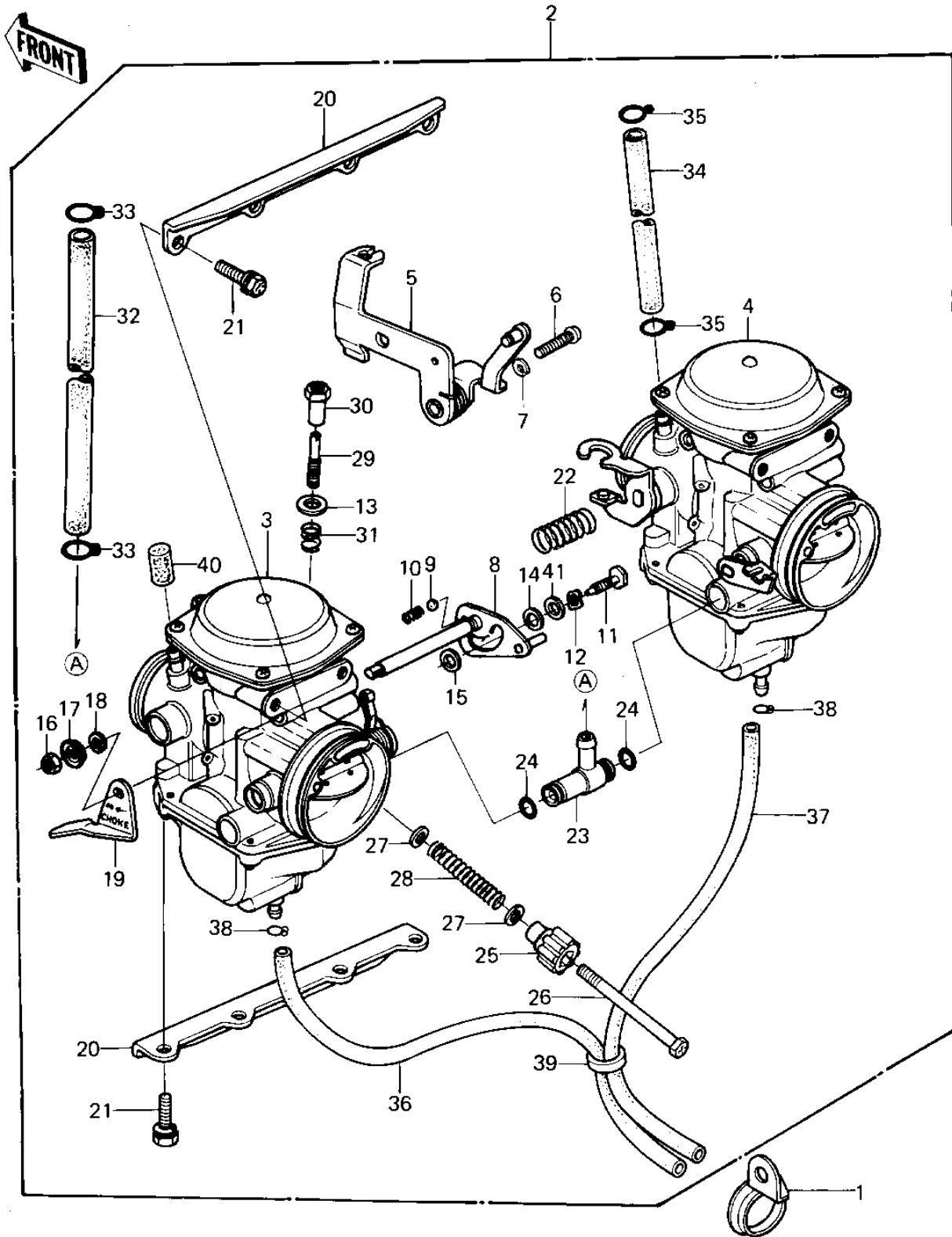


# 1980 LTD PARTS DIAGRAM

CARBURETOR ASSY ('80 A1)



# 1980 LTD PARTS LIST

## CARBURETOR ASSY ('80 A1)

ITEM NAME	PART NUMBER	QUANTITY
CLAMP,TUBE (Ref # 1)	92037-1153	1
CARBURETOR (Ref # 2)	16001-1391	1
CARBURETOR ASSY (Ref # 2)	16001-1275	1
CARBURETOR,L.H. (Ref # 3)	16001-1290	1
CARBURETOR,L.H. (Canada) (Ref # 3)	16001-1276	1
CARBURETOR,R.H. (Ref # 4)	16001-1291	1
CARBURETOR,R.H. (Canada) (Ref # 4)	16001-1277	1
BRACKET,THROTTLE CABL (Ref # 5)	11034-1805	1
SCREW PAN HEAD 5X20 (Ref # 6)	220B0520	1
WASHER SPRING 5MM (Ref # 7)	461F0500	1
SHAFT,LINK (Ref # 8)	16041-1020	1
BALL,STEEL,3/16" (Ref # 9)	92140-1004	1
SPRING (Ref # 10)	92081-1249	1
SCREW,LINK SHAFT (Ref # 11)	92009-1096	1
SPRING,WAVED WASHER (Ref # 12)	92081-1262	1
WASHER (Ref # 13)	92022-1204	1
WASHER,6.1X11X0.8,POL (Ref # 14)	92022-1199	1
WASHER,6.4X9.4X0.8,PL (Ref # 15)	92022-1200	1
NUT,5MM (Ref # 16)	311B0500	1
WASHER,LOCK,5M/M (Ref # 17)	92022-1201	1
WASHER SPRING 5MM (Ref # 18)	461F0500	1
LEVER,CHOKE (Ref # 19)	13168-1065	1
PLATE,STAY (Ref # 20)	16065-1012	2
SCREW,6X16 (Ref # 21)	92009-1129	8
SPRING (Ref # 22)	92081-1258	1
FITTING,FUEL TUBE (Ref # 23)	92005-1026	1
"O" RING (Ref # 24)	92055-1004	2
HOLDER,ADJUST (Ref # 25)	13091-1078	1
BOLT,HEX HEAD,5X70 (Ref # 26)	92001-1328	1

## 1980 LTD PARTS LIST

### CARBURETOR ASSY ('80 A1)

ITEM NAME	PART NUMBER	QUANTITY
WASHER (Ref # 27)	92022-1203	2
SPRING (Ref # 28)	92081-1251	1
SCREW,SLOTTED (Ref # 29)	16021-1027	1
NUT,5M/M (Ref # 30)	92015-1118	1
SPRING (Ref # 31)	92081-1252	1
TUBE,FUEL INLET (Ref # 32)	92059-1029	1
CLAMP,FUEL INLET TUBE (Ref # 33)	92037-1075	2
HOSE,FUEL INLET (Ref # 34)	92059-1001	1
CLAMP,TUBE (Ref # 35)	92037-1682	2
HOSE,FUEL OVERFLOW (Ref # 36)	92059-111	1
CLAMP,TUBE,OVERFLOW (Ref # 37)	92037-1142	2
CLAMP,TUBE,OVERFLOW (Ref # 38)	92037-1142	2
TUBE,CLAMP (Ref # 39)	92059-1141	1
CAP,RUBBER (Ref # 40)	11012-1129	1
WASHER,6.5X11X1.2,STL (Ref # 41)	92022-1207	1