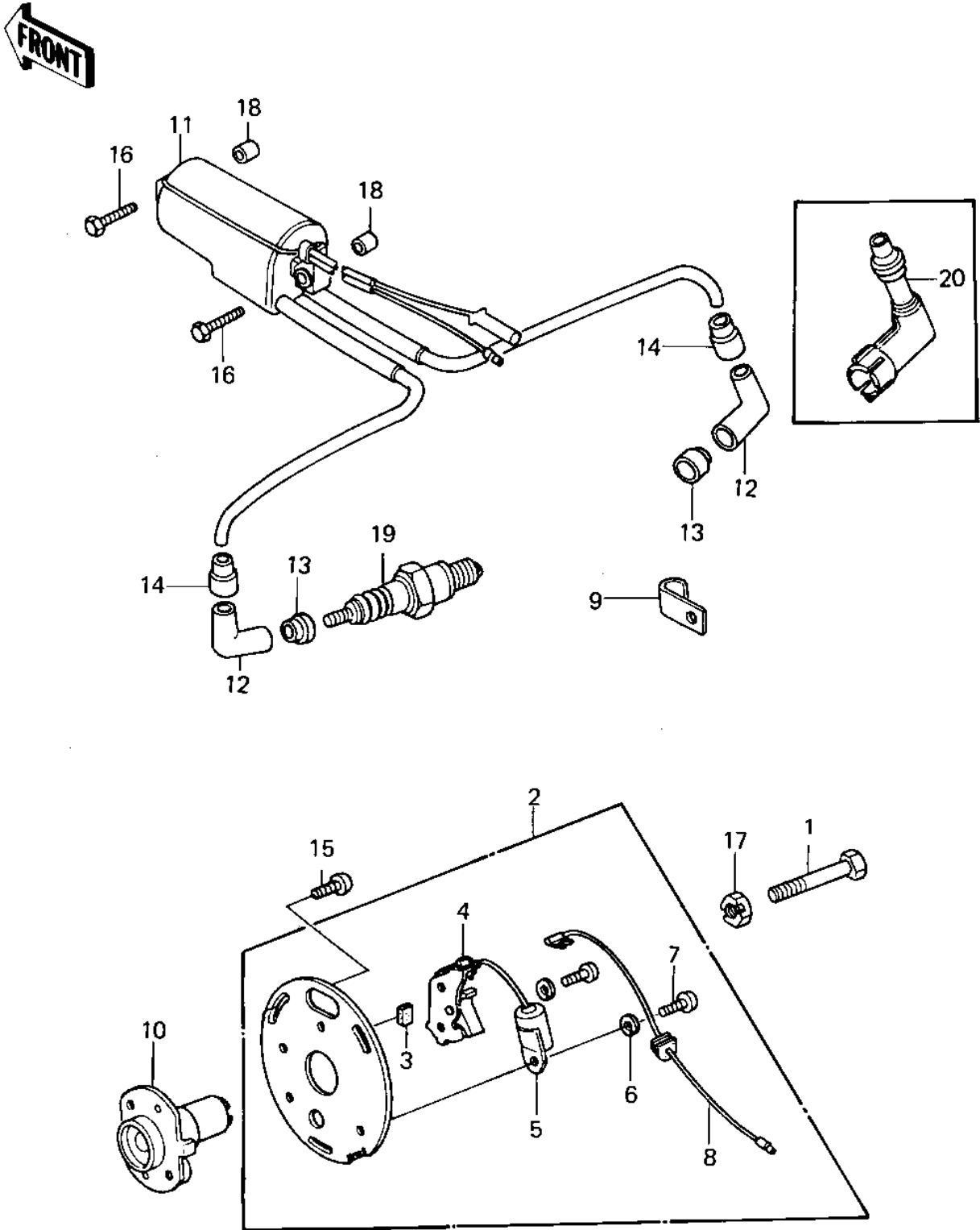


# 1980 LTD PARTS DIAGRAM

IGNITION (80 A1)



# 1980 LTD PARTS LIST

## IGNITION ('80 A1)

ITEM NAME	PART NUMBER	QUANTITY
BOLT-8X63 (Ref # 1)	92001-1397	1
BREAKER ASSY,CONTACT (Ref # 2)	21008-1014	1
FELT OIL (Ref # 3)	21019-005	1
BREAKER,CONTACT (Ref # 4)	21008-027	1
CONDENSER (Ref # 5)	21013-1004	1
WASHER SPRING 6MM (Ref # 6)	461F0600	4
SCREW PAN HEAD 4X6 (Ref # 7)	220B0406	4
WIRE,LEAD,BREAKER (Ref # 8)	26011-1030	1
CLAMP,WIRING HARNESS (Ref # 9)	21126-008	1
GOVERNOR,BREAKER (Ref # 10)	21148-1002	1
COIL-IGNITION (Ref # 11)	21121-1174	1
CAP-SPARK PLUG,RTFM20 (Ref # 12)	21130-1007	2
GROMMET-PLUG CAP,A (Ref # 13)	21131-004	2
GROMMET,SPARK PLG CAP (Ref # 14)	21132-005	2
SCREW PAN HEAD 5X12 (Ref # 15)	220B0512	3
BOLT, IGNITION COIL (Ref # 16)	92003-170	2
WASHER,SPARK ADVANCER (Ref # 17)	92022-244	1
COLLAR,IGNITION COIL (Ref # 18)	92027-276	2
SPARK PLUG B7ES (Ref # 19)	B7ES	2
SPARK PLUG B7ES (Ref # 19)	B7ES	(2
CAP,SPARK PLUG (Ref # 20)	21160-005	2