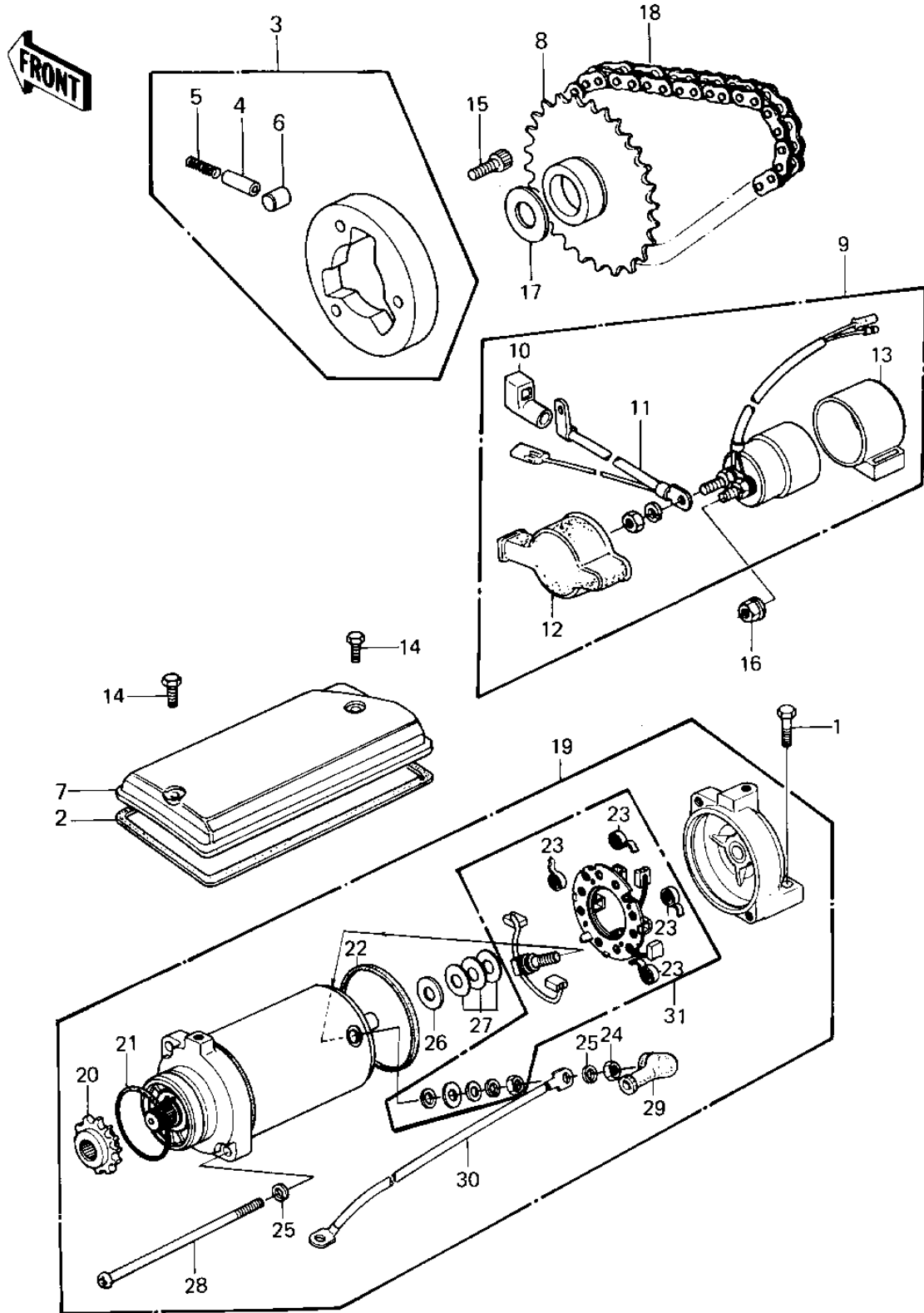


# 1980 LTD PARTS DIAGRAM

## STARTER MOTOR/STARTER CLUTCH (80 A1)



# 1980 LTD PARTS LIST

## STARTER MOTOR/STARTER CLUTCH ('80 A1)

ITEM NAME	PART NUMBER	QUANTITY
BOLT-UPSET (Ref # 1)	112G0625	2
GASKET,STARTER COVER (Ref # 2)	11009-1006	1
CLUTCH ASSY,STARTER (Ref # 3)	13193-1001	1
PIN (Ref # 4)	92043-087	3
SPRING (Ref # 5)	92081-110	3
ROLLER (Ref # 6)	92122-004	3
COVER,STARTER (Ref # 7)	14025-1284	1
SPROCKET,ONWAY CLUTCH (Ref # 8)	12046-1030	1
SWITCH,MAGNETIC (Ref # 9)	27010-1040	1
CAP,MAG SWTCH TERMNL (Ref # 10)	21017-021	1
WIRE LEAD MAG SWITCH (Ref # 11)	26011-1107	1
COVER MAGNETIC SWITCH (Ref # 12)	21141-004	1
DAMPER MAG SWITCH SHK (Ref # 13)	21064-002	1
BOLT,6X10 (Ref # 14)	92001-1151	2
BOLT (Ref # 15)	120P0816	3
NUT,LOCK 6MM (Ref # 16)	92017-014	1
SPACER,25X40X1 (Ref # 17)	92026-1004	1
CHAIN,DYNAMO (Ref # 18)	92057-1009	1
MOTOR ASSY,STARTER (Ref # 19)	21163-1011	1
SPROCKET STARTNG MOT (Ref # 20)	21053-002	1
"0" RING,42.8MM (Ref # 21)	21027-005	1
"0" RING,STARTER MOTR (Ref # 22)	92055-1086	1
SPRING,CARBON BRUSH (Ref # 23)	21040-1002	4
NUT 6MM (Ref # 24)	312B0600	1
WASHER SPRING 6MM (Ref # 25)	461F0600	3
WASHER,THRUST,0.8T (Ref # 26)	92022-1132	1
WASHER,THRUST,0.2T (Ref # 27)	21025-011	4
SCREW,PAN HEAD,6X119 (Ref # 28)	92009-1097	2
CAP,STARTING MOTOR (Ref # 29)	21017-020	1

# 1980 LTD PARTS LIST

STARTER MOTOR/STARTER CLUTCH ('80 A1)

ITEM NAME	PART NUMBER	QUANTITY
WIRE STRTER MOT LEAD (Ref # 30)	26010-035	1
BRUSH SET,CARBON (Ref # 31)	21039-1005	1