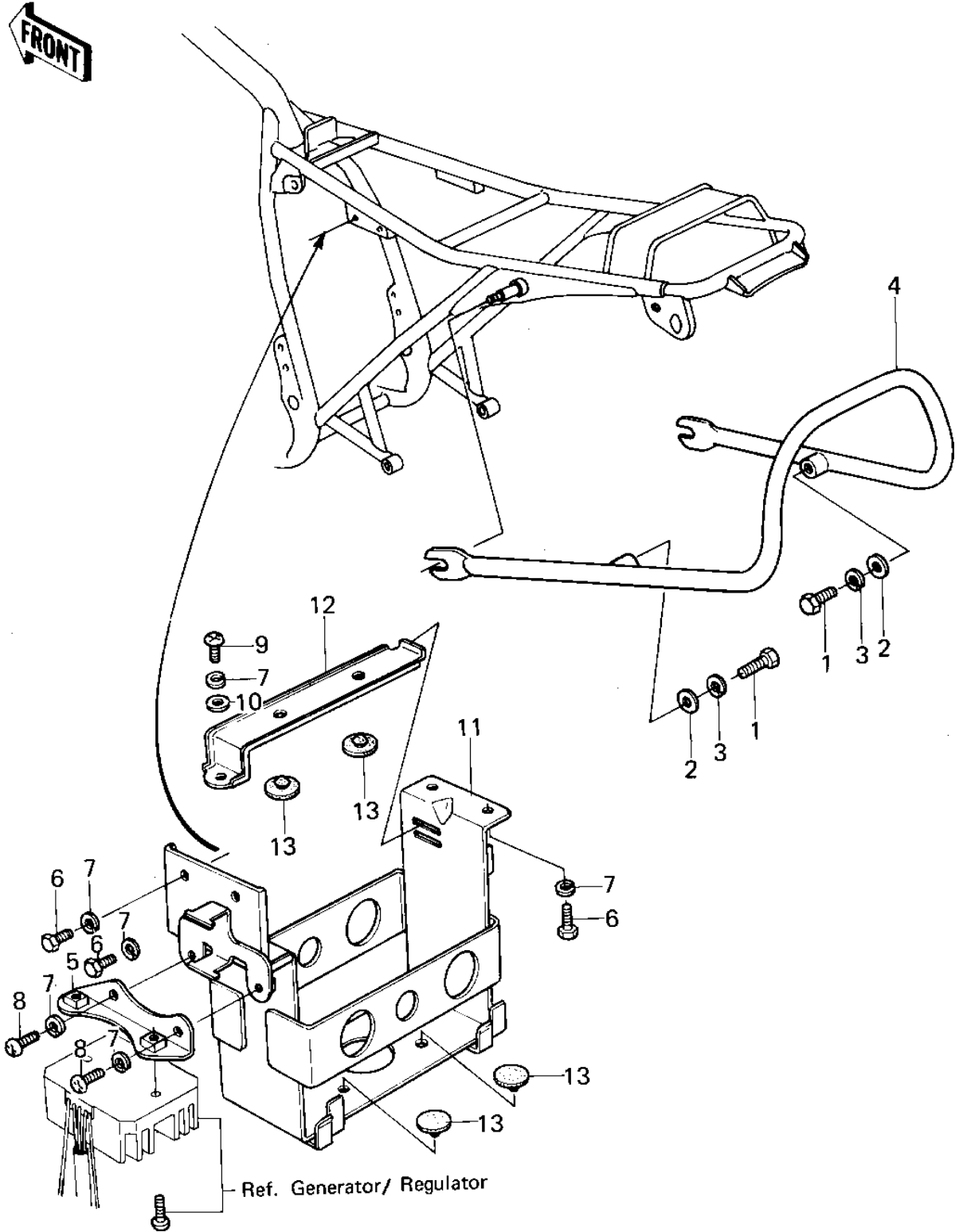


# 1980 LTD PARTS DIAGRAM

BATTERY CASE ('80 A1)



## 1980 LTD PARTS LIST

### BATTERY CASE ('80 A1)

ITEM NAME	PART NUMBER	QUANTITY
BOLT-SMALL-UPSET,8X16 (Ref # 1)	115G0816	2
WASHER PLAIN 8MM (Ref # 2)	410B0800	2
WASHER SPRING 8MM (Ref # 3)	461F0800	2
STAY,REAR (Ref # 4)	35011-1033	1
BRACKET-A,REGULATOR (Ref # 5)	11036-1105	1
BOLT-UPSET,6X16 (Ref # 6)	112G0616	4
WASHER SPRING 6MM (Ref # 7)	461F0600	7
SCREW PAN HEAD 6X12 (Ref # 8)	220B0612	2
SCREW PAN HEAD 6X14 (Ref # 9)	220B0614	1
WASHER PLAIN 6MM (Ref # 10)	410B0600	1
CASE,BTTELY (Ref # 11)	32097-1022	1
BAND,BATTERY (Ref # 12)	92072-1034	1
DAMPER RUBBER (Ref # 13)	92075-078	6