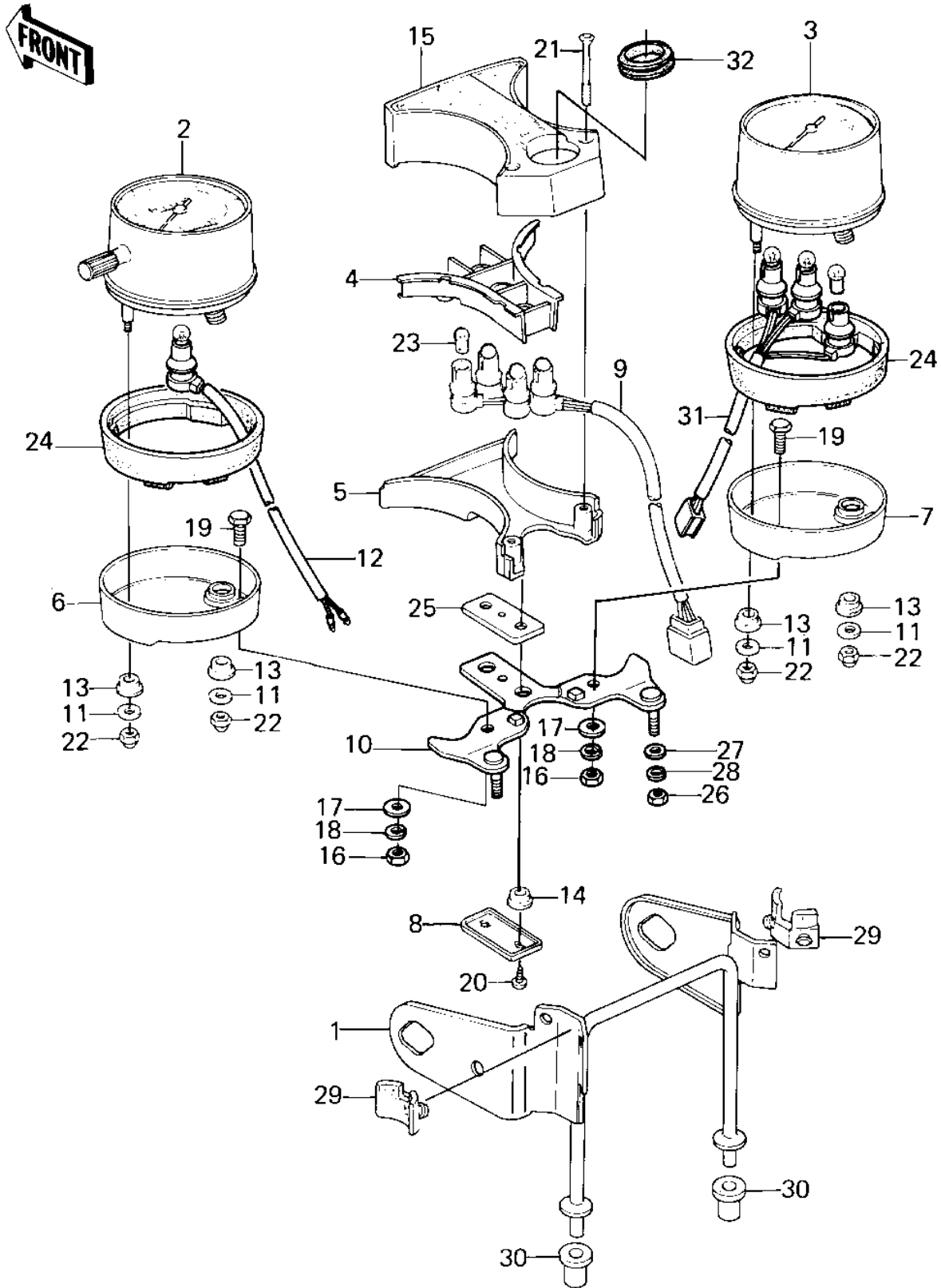


# 1980 LTD PARTS DIAGRAM

METERS ('80 A1)



# 1980 LTD PARTS LIST

METERS ('80 A1)

ITEM NAME	PART NUMBER	QUANTITY
BRACKET,HEAD LAMP (Ref # 1)	11034-1535	1
SPEEDOMETER,MPH (Ref # 2)	25005-1064	1
SPEEDOMETER,KPH (Canada) (Ref # 2)	25005-1053	1
TACHOMETER,X1000R/MIN (Ref # 3)	25015-1068	1
PLATE,SOCKET (Ref # 4)	13169-1133	1
COVER,PILOT BOX,LOWER (Ref # 5)	14025-1093	1
COVER,SPEEDOMETER (Ref # 6)	14025-1094	1
COVER,TACHOMETER (Ref # 7)	14025-1095	1
COVER,PILOT BOX DAMPR (Ref # 8)	14025-1096	1
SOCKET ASSY,PILOT BOX (Ref # 9)	23008-1031	1
BRACKET,METER (Ref # 10)	25008-1021	1
WASHER,5.2X16X16X1.2T (Ref # 11)	25009-004	4
SOCKET ASSY (Ref # 12)	25010-022	1
DAMPER RUBBER-METER (Ref # 13)	25019-013	4
DAMPER RUBBER,MET FIT (Ref # 14)	25019-023	2
COVER,PILOT BOX,UPPER (Ref # 15)	25023-1008	1
NUT,8MM (Ref # 16)	311B0800	2
WASHER PLAIN 8MM (Ref # 17)	411B0800	2
WASHER SPRING 8MM (Ref # 18)	461F0800	2
BOLT,METER,8X16 (Ref # 19)	92001-1154	2
SCREW,TAPPING,4X10 (Ref # 20)	92009-1040	2
SCREW-CSK-RD-CROS,4X4 (Ref # 21)	222C0445	2
NUT-CAP,5MM (Ref # 22)	322N0500	4
BULB 12V 3W (Ref # 23)	92069-018	8
DAMPER,METER (Ref # 24)	92075-1498	2
DAMPER,PILOT BOX (Ref # 25)	92075-1136	1
NUT 6MM (Ref # 26)	311B0600	2
WASHER PLAIN 6MM (Ref # 27)	411B0600	2
WASHER SPRING 6MM (Ref # 28)	461F0600	2

# 1980 LTD PARTS LIST

METERS ('80 A1)

ITEM NAME	PART NUMBER	QUANTITY
DAMPER,LAMP BRACKET (Ref # 29)	92075-1106	2
DAMPER,LAMP BRACKET (Ref # 30)	92075-1107	2
SOCKET ASSY,TACHOMETR (Ref # 31)	23008-1049	1
DAMPER,PILOT BOX (Ref # 32)	92075-1204	1