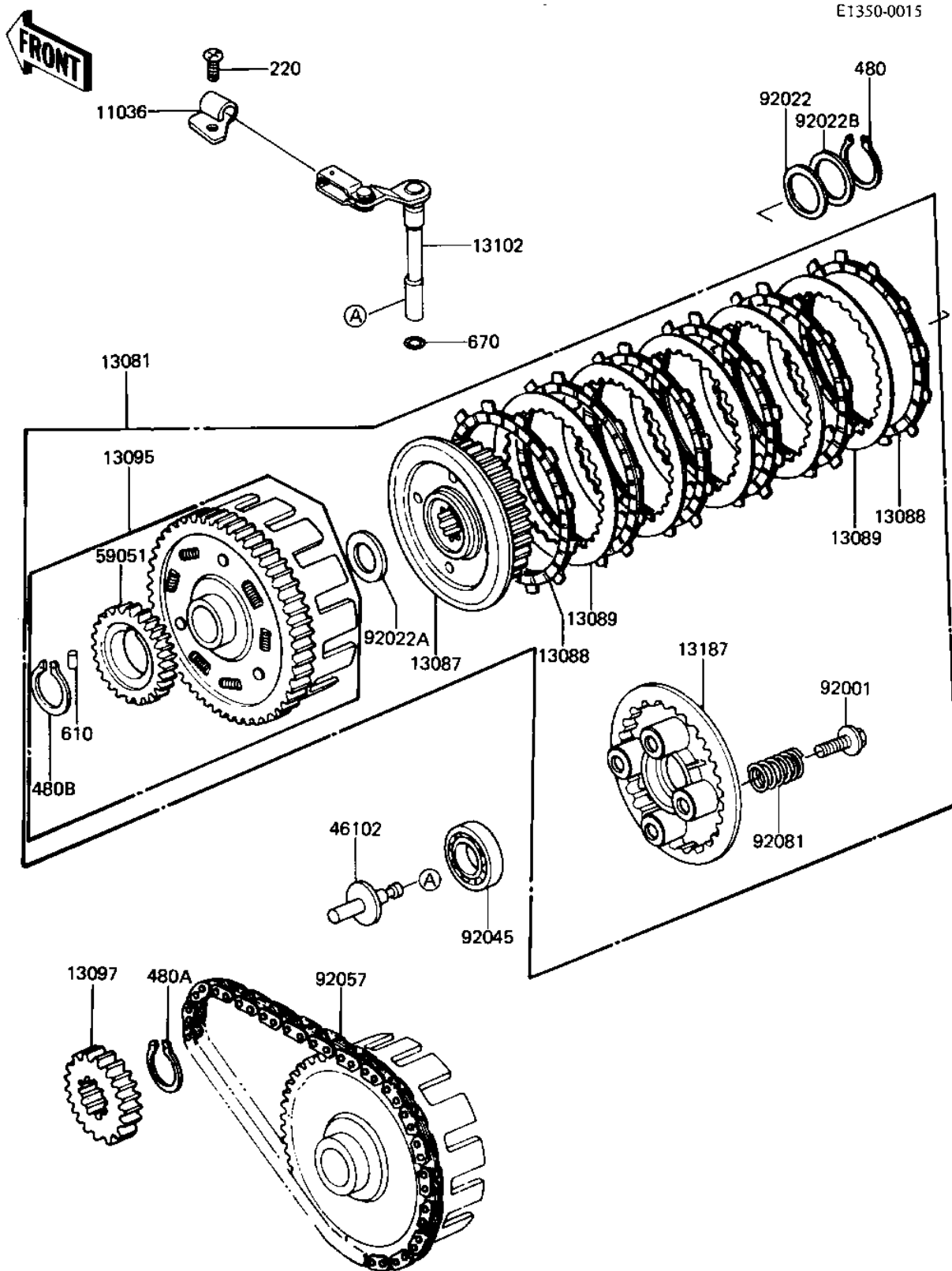


1983 LTD PARTS DIAGRAM

CLUTCH (KZ440-A3/A4)



1983 LTD PARTS LIST

CLUTCH (KZ440-A3/A4)

| ITEM NAME | PART NUMBER | QUANTITY |
|-------------------------------------|-------------|----------|
| BRACKET-A,CLUTCH RELE (Ref # 11036) | 11036-1125 | 1 |
| CLUTCH-ASSY (Ref # 13081) | 13081-1067 | 1 |
| HUB,CLUTCH (Ref # 13087) | 13087-040 | 1 |
| PLATE,FRICTION (Ref # 13088) | 13088-1001 | 6 |
| PLATE,CLUTCH STEEL (Ref # 13089) | 13089-026 | 5 |
| HOUSING,CLUTCH (Ref # 13095) | 13095-1008 | 1 |
| SPROCKET,PRIMARY (Ref # 13097) | 13121-030 | 1 |
| RELEASE-COMP-CLUTCH (Ref # 13102) | 13102-1009 | 1 |
| PLATE-CLUTCH OPERATIN (Ref # 13187) | 13187-1007 | 1 |
| ROD,CLUTCH (Ref # 46102) | 46102-1031 | 1 |
| GEAR,OIL PUMP,34T (Ref # 59051) | 59051-1001 | 1 |
| BOLT,CLUTCH SPR FITT (Ref # 92001) | 92001-1066 | 4 |
| WASHER-THRUST (Ref # 92022) | 92022-225 | 1 |
| WASHER,CLUTCH THRUST (Ref # 92022A) | 92022-288 | 1 |
| WASHER,CLUTCH TRUST (Ref # 92022B) | 92022-302 | 1 |
| BEARING-BALL,16005(NT (Ref # 92045) | 92045-1045 | 1 |
| CHAIN,PRIMARY DRIVE (Ref # 92057) | 13122-005 | 1 |
| SPRING,CLUTCH (Ref # 92081) | 92081-1033 | 4 |
| SCREW PAN HEAD 6X16 (Ref # 220) | 220B0616 | 1 |
| CIRCLIP 24MM (Ref # 480) | 480J2400 | 1 |
| CIRCLIP,30MM (Ref # 480A) | 480J3000 | 1 |
| CIRCLIP, 38MM (Ref # 480B) | 480J3800 | 1 |
| PIN, DOWELL, 6X6 (Ref # 610) | 610A0606 | 1 |
| "O" RING,9MM (Ref # 670) | 670B1509 | 1 |