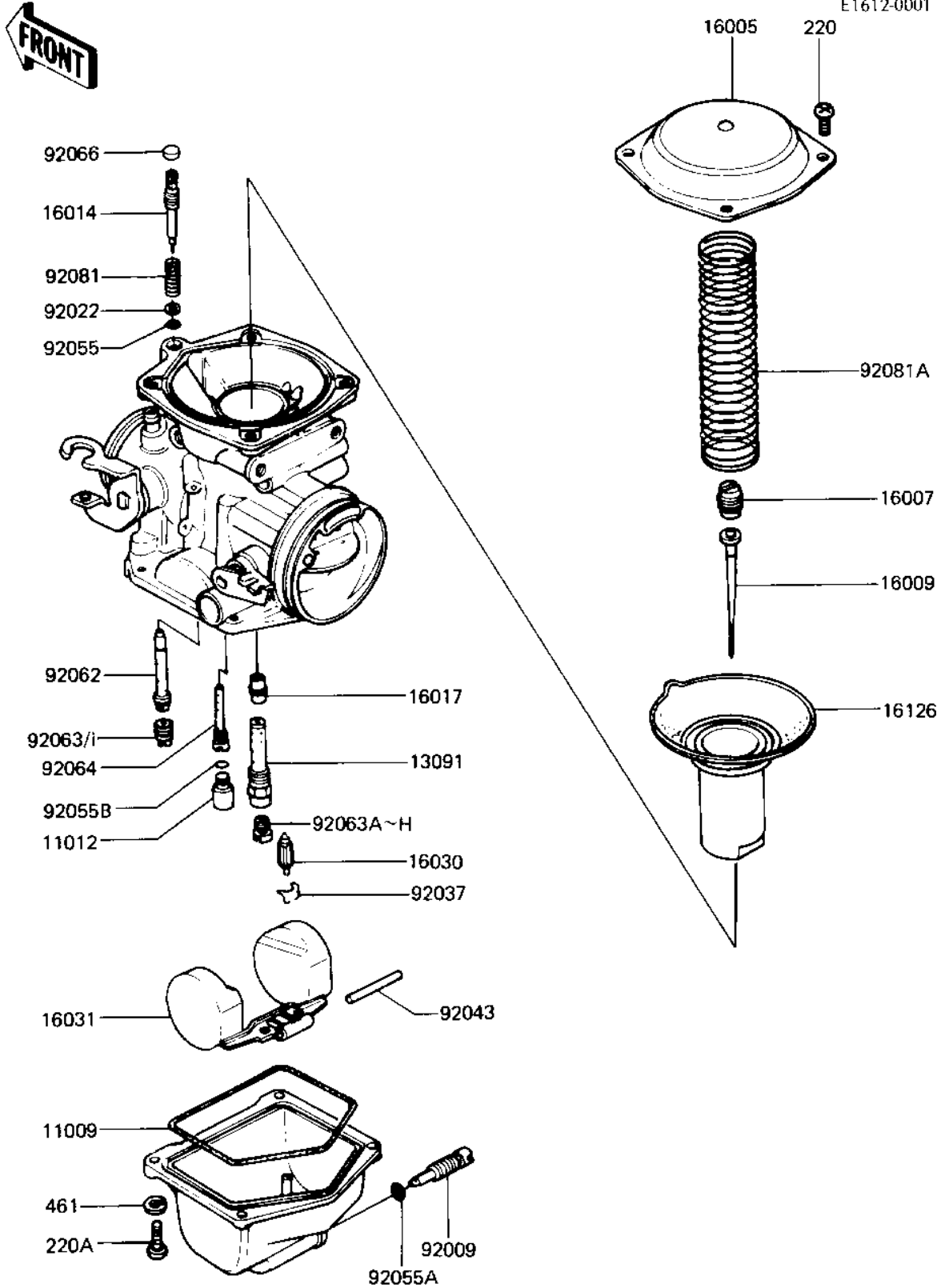


# 1983 LTD PARTS DIAGRAM

CARBURETOR PARTS ('81-'83 A2/A3/A4)



# 1983 LTD PARTS LIST

## CARBURETOR PARTS ('81-'83 A2/A3/A4)

ITEM NAME	PART NUMBER	QUANTITY
"O" RING,FLOAT BALL (Ref # 11009)	16019-024	2
CAP,POLYESTER (Ref # 11012)	11012-1128	2
HOLDER,NEEDLE JET (Ref # 13091)	13091-1050	2
TOP,MIXING CHAMBER (Ref # 16005)	16005-1012	2
SCREW,NEEDLE SET (Ref # 16007)	16007-1022	2
JET NEEDLE,#N02A (Ref # 16009)	16009-1064	2
SCREW,PILOT ADJUST (Ref # 16014)	16014-1011	2
NEEDLE JET (Ref # 16017)	16017-1059	2
FLOAT VALVE (Ref # 16030)	16030-1007	2
FLOAT (Ref # 16031)	16031-1001	2
VALVE,VACUUM (Ref # 16126)	16126-1044	2
SCREW,DRAIN (Ref # 92009)	92009-1095	2
WASHER,PLAIN (Ref # 92022)	92022-1003	2
CLIP,FLOAT VALVE (Ref # 92037)	16044-007	2
FLOAT PIN (Ref # 92043)	92043-1002	2
O RING,PILOT ADJ (Ref # 92055)	92055-1002	2
"O" RING,DRAIN SCREW (Ref # 92055A)	92055-1053	2
"O" RING (Ref # 92055B)	92055-1088	2
NOZZLE,MAIN (Ref # 92062)	92062-1001	2
MAINJET,PRIMARY,#70 (Ref # 92063)	92063-1002	2
MAIN JET,2ND,#90 (Ref # 92063A)	92063-1003	2
MAIN JET,2ND,#85 (Ref # 92063C)	92063-1023	2
MAIN JET,2ND,#80 (Ref # 92063G)	92063-1037	2
MAIN JET,2ND,#82 (Ref # 92063H)	92063-1044	2
PILOT JET,#35 (Ref # 92064)	92064-1001	2
SPRING,PIROT ADJ SCRW (Ref # 92081)	92081-1002	2
SPRING (Ref # 92081A)	92081-1257	2
SCREW PAN HEAD 4X8 (Ref # 220)	220B0408	8
SCREW-PAN-CRROSS,4X12 (Ref # 220A)	220B0412	8

# 1983 LTD PARTS LIST

CARBURETOR PARTS ('81-'83 A2/A3/A4)

ITEM NAME	PART NUMBER	QUANTITY
WASHER SPRING 4MM (Ref # 461)	461F0400	8