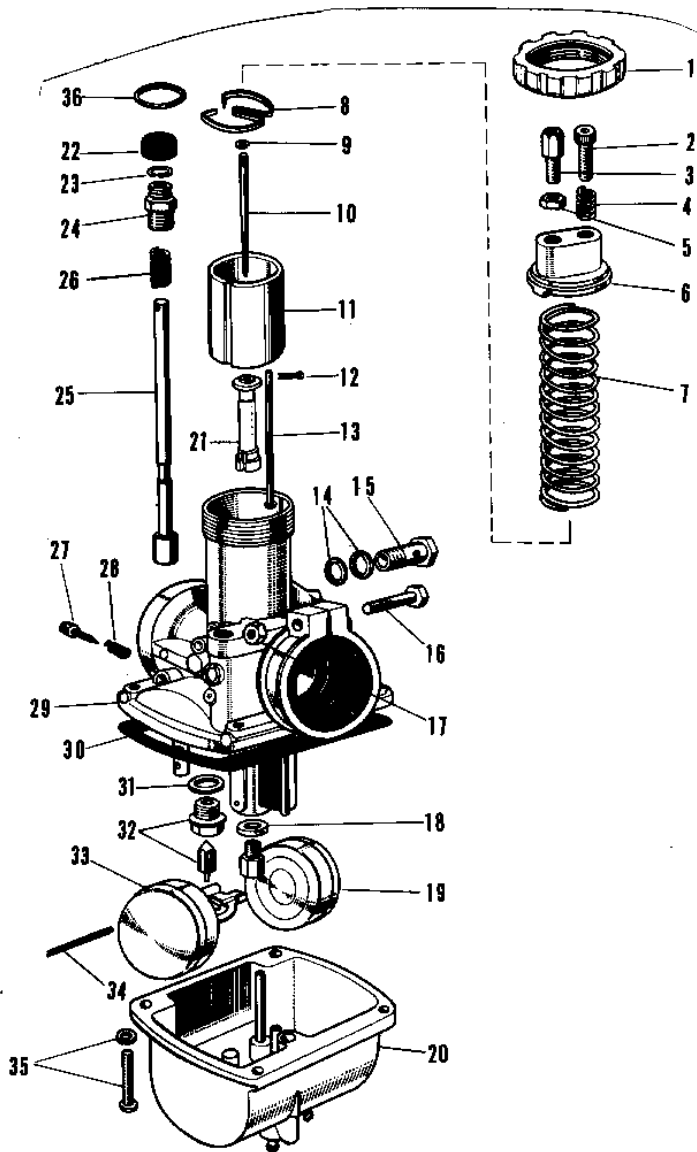


1970 Centurion PARTS DIAGRAM

CARBURETOR

r
1



1970 Centurion PARTS LIST

CARBURETOR

ITEM NAME	PART NUMBER	QUANTITY
CARBURETOR ASSY (Ref # 1~35)	16001-100	1
CAP MIXING CHAMBER (Ref # 1)	16004-011	1
SCREW, THROTTLE STOP (Ref # 2)	16021-002	1
CABLE ADJUSTER (Ref # 3)	16002-002	1
SPRING THR STOP SCREW (Ref # 4)	16022-005	1
NUT CABLE ADJUST LOCK (Ref # 5)	16003-004	1
TOP MIXING CHAMBER (Ref # 6)	16005-020	1
SPRING THROTTLE VALVE (Ref # 7)	16006-014	1
SPRING SEAT THRTL VLV (Ref # 8)	16007-012	1
CIRCLIP (Ref # 9)	16008-010	1
JET NEEDLE 4DG-6 (Ref # 10)	16009-029	1
VALVE THROTTLE (Ref # 11)	16025-028	1
UNAVAILABLE IN PRICE BOOK (Ref # 12)	16023-001	1
ROD THROTTLE VLV STOP (Ref # 13)	16024-004	1
GASKET 8MM (Ref # 14)	751P0800	2
BOLT BANJO (Ref # 15)	92001-011	1
SCREW CLAMP (Ref # 16)	16010-004	1
NUT 6MM (Ref # 17)	311B0600	1
WASHER MAIN JET (Ref # 18)	16034-001	1
JET-MAIN NO 150A (Ref # 19)	92063-016	1
NEEDLE JET 0-6 (Ref # 21)	16017-036	1
CAP RUBBER (Ref # 22)	16036-006	1
CIRCLIP (Ref # 23)	92037-1077	1
CAP STARTER PLUNGER (Ref # 24)	16012-010	1
PLUNGER STARTER (Ref # 25)	16016-008	1
SPRING STARTER PLUNG (Ref # 26)	16013-006	1
SCREW PILOT AIR ADJST (Ref # 27)	16014-002	1
SPRING-THR STOP SCREW (Ref # 28)	16022-007	1
GASKET FLOAT CHAMBER (Ref # 30)	16019-013	1

1970 Centurion PARTS LIST

CARBURETOR

ITEM NAME	PART NUMBER	QUANTITY
WASHER FLOAT VLV SEAT (Ref # 31)	16029-004	1
FLOAT VALVE ASSY (Ref # 32)	16030-005	1
FLOAT (Ref # 33)	16031-016	1
FLOAT PIN (Ref # 34)	16032-003	1
SCREW FLOAT CHAMBER (Ref # 35)	16033-009	4
SPRING (Ref # 36)	92081-065	1