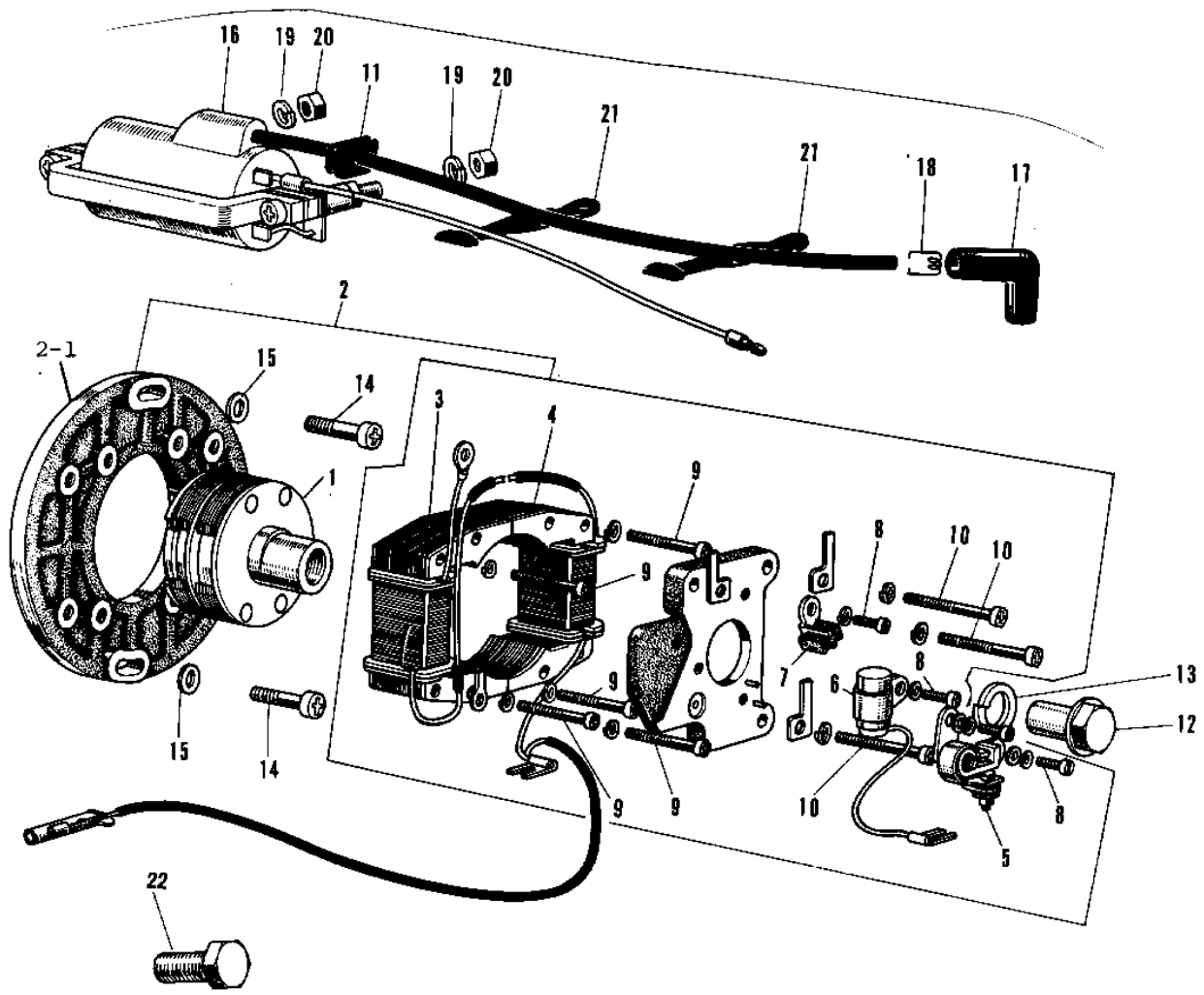


# 1970 Centurion PARTS DIAGRAM

## IGNITION



- 1
- 1
- 1
- 1
- 1
- 1
- 1
- 1
- 1
- 2
- 2
- 2



# 1970 Centurion PARTS LIST

## IGNITION

ITEM NAME	PART NUMBER	QUANTITY
ROTOR (Ref # 1)	21007-017	1
STATOR ASSY (Ref # 2)	21046-003	1
BASE-MAGNETO (Ref # 2-1)	21048-014	1
COIL PRIMARY A (Ref # 3)	21049-009	1
COIL PRIMARY B (Ref # 4)	21049-010	1
BREAKER CONTACT (Ref # 5)	21008-014	1
CONDENSER (Ref # 6)	21013-019	1
FELT OIL (Ref # 7)	21019-005	1
SCREW PAN HEAD 4X8 (Ref # 8)	21085-004	5
SCREW PAN HEAD 5X30 (Ref # 9)	220B0530	5
SCREW-PAN-CROS (Ref # 10)	220B0540	3
GROMMET WIRING HARNES (Ref # 11)	21017-007	1
NUT ROTOR FITTING (Ref # 12)	92015-039	1
WASHER SPRING 14MM (Ref # 13)	461F1400	1
SCREW PAN HEAD 6X16 (Ref # 14)	220B0616	2
WASHER PLAIN 6MM (Ref # 15)	410B0600	2
COIL,IGNITION (Ref # 16)	21121-1047	1
CAP SPARK PLUG (Ref # 17)	21130-009	1
SPRING-SPARK PLUG CAP (Ref # 18)	92101-001	1
WASHER SPRING 6MM (Ref # 19)	461F0600	2
NUT 6MM (Ref # 20)	311B0600	2
BAND RUBBER (Ref # 21)	92072-013	2