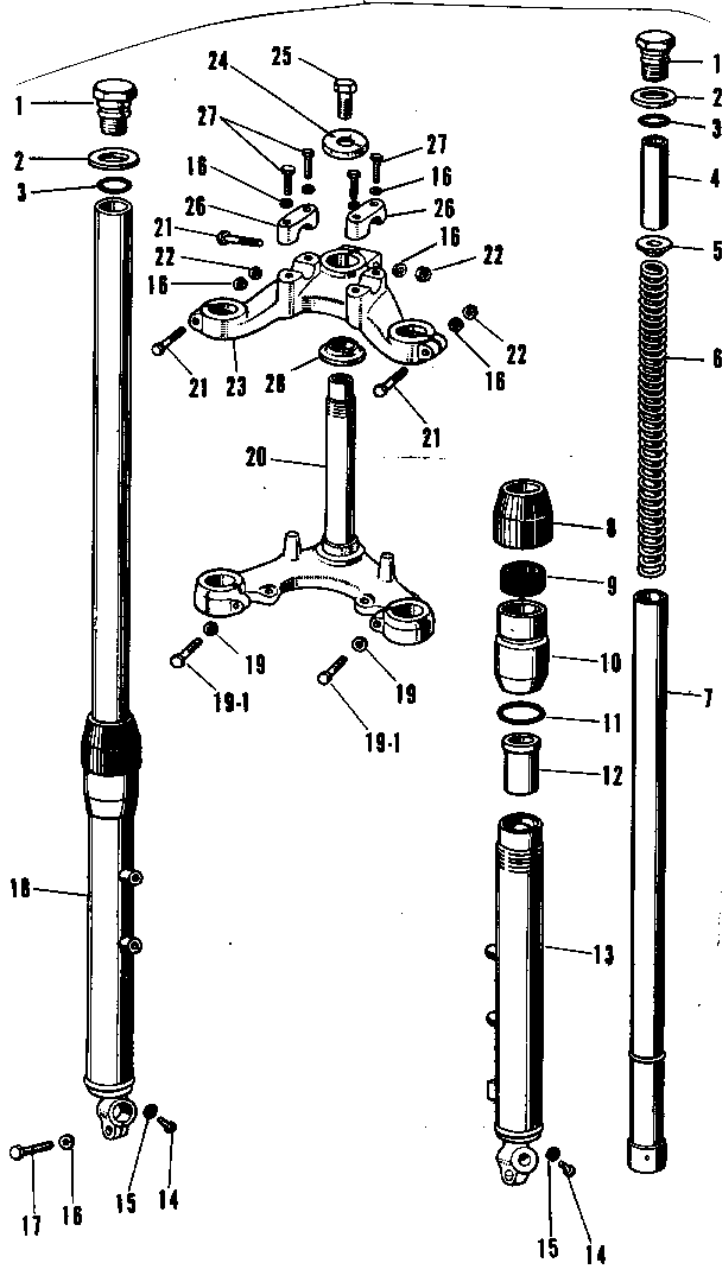


1970 Centurion PARTS DIAGRAM

FRONT FORK (G31M)



1970 Centurion PARTS LIST

FRONT FORK (G31M)

ITEM NAME	PART NUMBER	QUANTITY
FORK-FRONT (Ref # 1~25)	44001-046	1
BOLT FORK TOP (Ref # 1)	44041-022	2
WASHER FORK TOP (Ref # 2)	44043-014	2
'O' RING INNER TUBE (Ref # 3)	44046-014	2
SPACER FORK SPR GUIDE (Ref # 4)	44028-016	2
GUIDE FORK SPRING (Ref # 5)	44029-012	2
SPRING FORK (Ref # 6)	44026-024	2
TUBE FORK INNER (Ref # 7)	44013-018	2
DUST SHIELD FORK (Ref # 8)	44010-006	2
OIL SEAL (Ref # 9)	92049-1049	2
NUT FORK OUTER TUBE (Ref # 10)	44007-007	2
'O' RING OUTER TUBE (Ref # 11)	44046-012	2
GUIDE FORK INNER TUBE (Ref # 12)	44015-012	2
TUBE,LH,FORK OUTER (Ref # 13)	44005-023	1
SCREW PAN HEAD 4X8 (Ref # 14)	220B0408	2
GASKET FORK DRAIN PLG (Ref # 15)	44045-002	2
WASHER SPRING 8MM (Ref # 16)	461F0800	8
BOLT-SMALL-UPSET 8X25 (Ref # 17)	115G0825	1
TUBE,RH,FORK OUTER (Ref # 18)	44006-022	1
WASHER SPRING 10MM (Ref # 19)	461F1000	2
BOLT HEX HEAD 10X32 (Ref # 19-1)	113B1032	2
STEM STEERING (Ref # 20)	44037-026	1
BOLT (Ref # 21)	92001-1578	3
NUT,8MM (Ref # 22)	311B0800	3
HEAD STEERING STEM (Ref # 23)	44039-027	1
WASHER STRNG STEM HD (Ref # 24)	44043-016	1
BOLT STRNG STEM HEAD (Ref # 25)	44041-007	1
HOLDER UPPER HANDLEBAR (Ref # 26)	46012-004	2
BOLT 8X38 (Ref # 27)	92001-1405	4

1970 Centurion PARTS LIST

FRONT FORK (G31M)

ITEM NAME	PART NUMBER	QUANTITY
CONE LOWER BEARING (Ref # 28)	92047-004	1