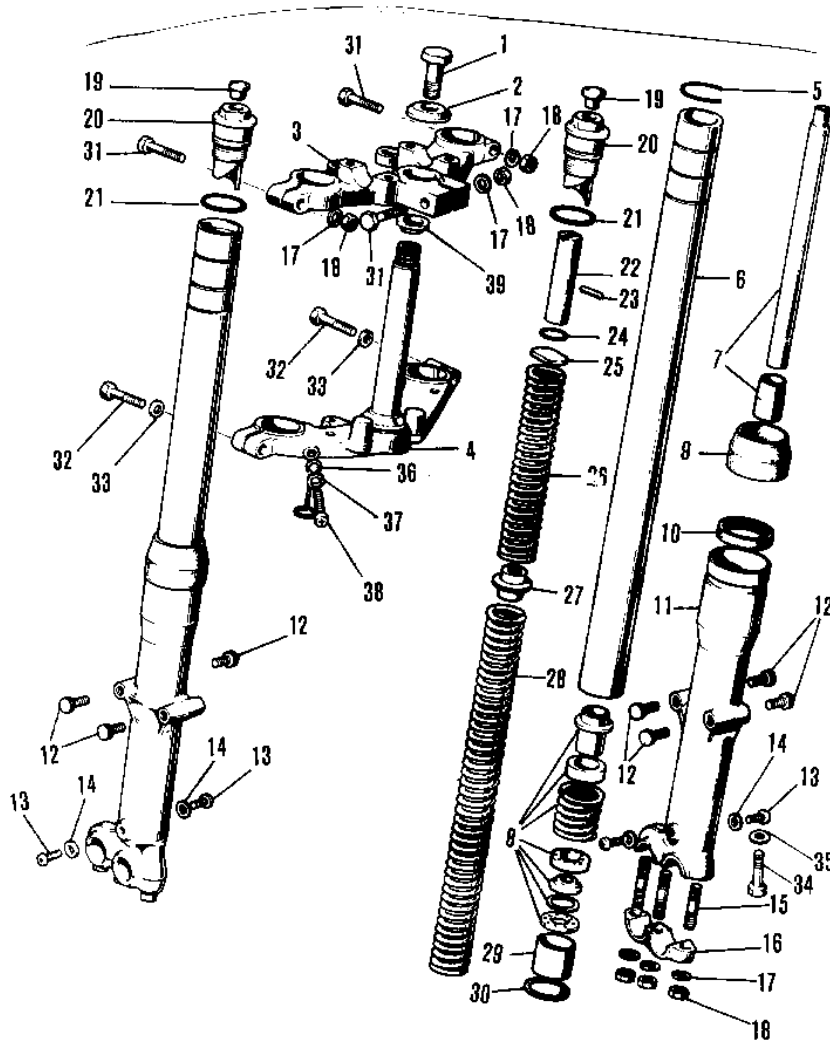


1970 Centurion PARTS DIAGRAM

FRONT FORK (G31M-A)



1970 Centurion PARTS LIST

FRONT FORK (G31M-A)

ITEM NAME	PART NUMBER	QUANTITY
FRONT FORK ASSY (Ref # 1~34)	44001-064	1
BOLT STRNG STEM HEAD (Ref # 1)	44041-007	1
WASHER STRNG STEM HD (Ref # 2)	44043-016	1
HEAD-STEERING STEM (Ref # 3)	44039-035	1
STEM-STEERING (Ref # 4)	44037-035	1
CIRCLIP (Ref # 5)	44044-011	2
TUBE-FORK INNER (Ref # 6)	44013-027	2
CYLINDER-FORK (Ref # 7,8)	44022-005	2
DUST SHIELD FORK (Ref # 9)	44010-006	2
OIL SEAL (Ref # 10)	92049-1049	2
TUBE,LH,FORK OUTER (Ref # 11)	44005-034-80	2
CAP (Ref # 12)	44062-002	7
SCREW PAN HEAD 4X8 (Ref # 13)	220B0408	4
GASKET FORK DRAIN PLG (Ref # 14)	44045-002	4
STUD 8X60 (Ref # 15)	172G0860	6
HOLDER-FRONT AXLE (Ref # 16)	44063-002	2
WASHER SPRING 8MM (Ref # 17)	461F0800	9
NUT,8MM (Ref # 18)	311B0800	9
CAP CARB MOUNT HOLE (Ref # 19)	14039-001	2
BOLT-FORK TOP (Ref # 19~24)	44041-035	2
'O' RING INNER TUBE (Ref # 21)	44046-014	2
WASHER-FORK SPRG SEAT (Ref # 25)	44029-016	2
SPRING-FORK,SHORT (Ref # 26)	44026-035	2
GUIDE-FORK SPRING (Ref # 27)	44028-019	2
SPRING-FORK,LONG (Ref # 28)	44026-034	2
PISTON-FORK (Ref # 29)	44018-004	2
CIRCLIP (Ref # 30)	44044-010	2
BOLT (Ref # 31)	92001-1578	3
BOLT HEX HEAD 10X32 (Ref # 32)	113B1032	2

1970 Centurion PARTS LIST

FRONT FORK (G31M-A)

ITEM NAME	PART NUMBER	QUANTITY
WASHER SPRING 10MM (Ref # 33)	461F1000	2
BOLT FORK CYLINDER (Ref # 34)	44041-027	2
GASKET FORK CYL BOLT (Ref # 35)	44045-030	2
CLAMP CABLE (Ref # 36)	92037-016	1
WASHER SPRING 6MM (Ref # 37)	461F0600	1
SCREW PAN HEAD 6X12 (Ref # 38)	220B0612	1
CONE LOWER BEARING (Ref # 39)	92047-004	1