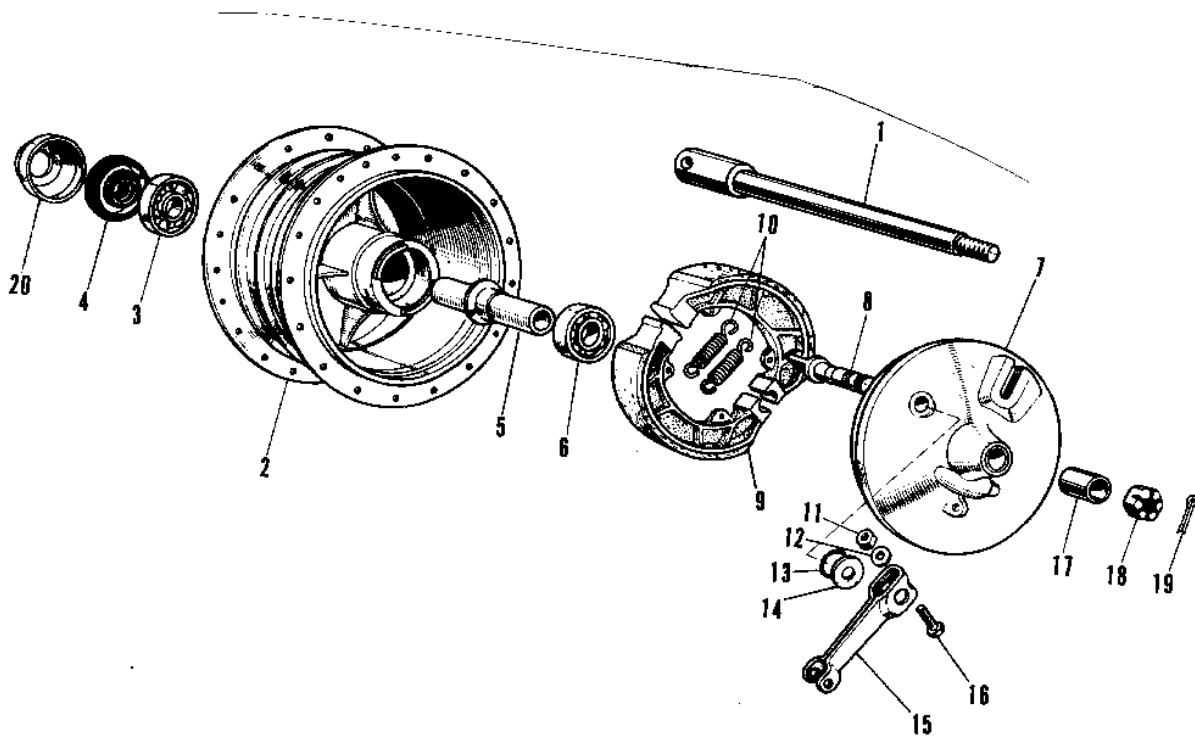


1970 Centurion PARTS DIAGRAM

FRONT HUB/BRAKE (G31M)



1
2
7



1970 Centurion PARTS LIST

FRONT HUB/BRAKE (G31M)

ITEM NAME	PART NUMBER	QUANTITY
AXLE FRONT (Ref # 1)	41068-026	1
DRUM-ASSY,FR BRK (Ref # 2~6)	41034-004	1
BEARING BALL #6301 (Ref # 3)	601B6301	1
OIL SEAL FR BRK DRUM (Ref # 4)	92050-011	1
SPACER FR HUB BEARING (Ref # 5)	41039-005	1
BEARING BALL #6301Z (Ref # 6)	601B6301Z	1
PANEL-ASY,FR BRK (Ref # 7~16)	41035-020	1
CAM SHAFT-FRONT BRAKE (Ref # 8)	41050-018	1
SHOE,BRAKE (Ref # 9)	41048-1007	2
SPRING,BRAKE SHOE (Ref # 10)	92081-1766	2
NUT 6MM (Ref # 11)	311B0600	1
WASHER PLAIN 6MM (Ref # 12)	410B0600	1
"O" RING,11MM (Ref # 13)	92055-004	1
WASHER BRAKE CAM SHT (Ref # 14)	41052-001	1
LEVER FRONT BRAKE CAM (Ref # 15)	41053-005	1
BOLT-UPSET (Ref # 16)	112G0630	1
COLLAR FRONT HUB R.H (Ref # 17)	41069-005	1
NUT-CASTLE (Ref # 18)	320G1200	1
PIN COTTER 3.0X25 (Ref # 19)	550D3025	1
DUST SHIELD FR BRAKE (Ref # 20)	41042-006	1