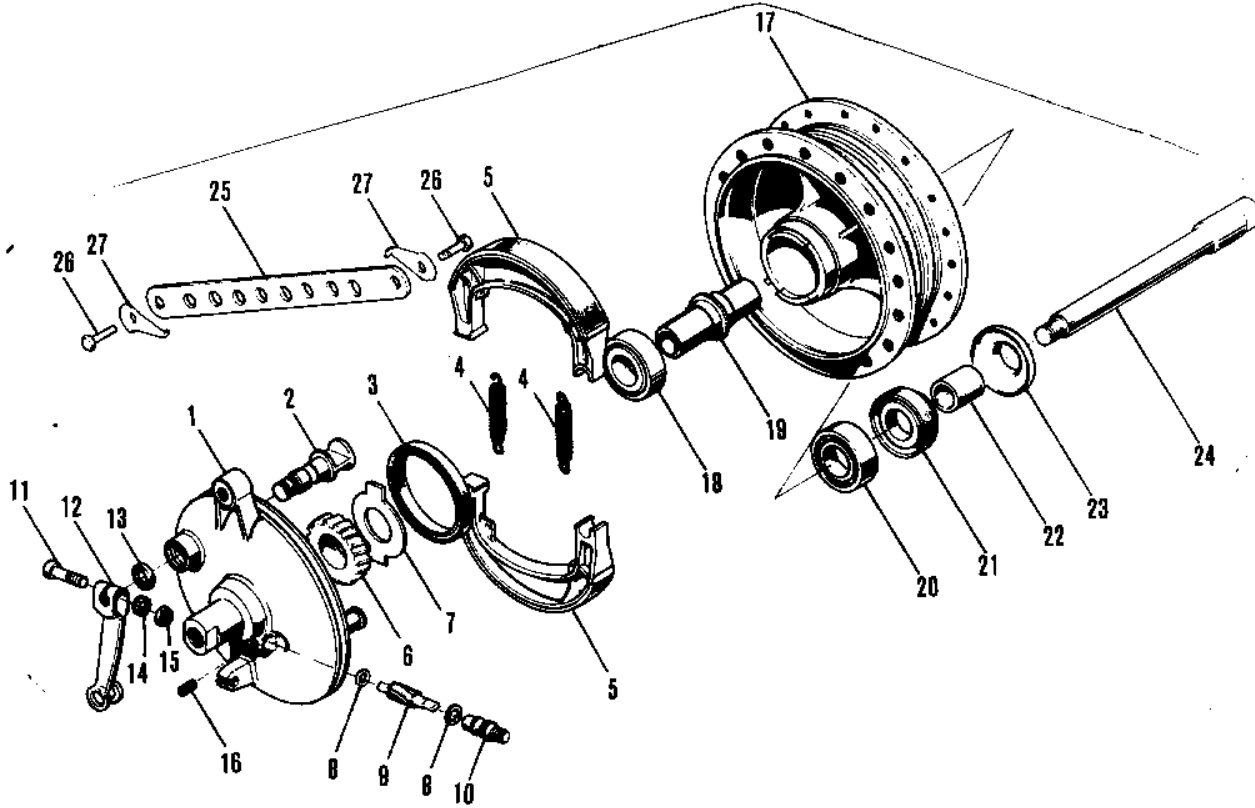


1970 Centurion PARTS DIAGRAM

FRONT HUB/BRAKE (G31M-A)



2
1

1

1970 Centurion PARTS LIST

FRONT HUB/BRAKE (G31M-A)

ITEM NAME	PART NUMBER	QUANTITY
PANEL-ASY,FR BRK BUFF (Ref # 1~16)	41035-044-80	1
CAM SHAFT-FRONT BRAKE (Ref # 2)	41050-018	1
SPRING,BRAKE SHOE (Ref # 4)	92081-1766	2
SHOE,BRAKE (Ref # 5)	41048-1007	2
BOLT-UPSET (Ref # 11)	112G0630	1
BOLT-UPSET (Ref # 11)	112G0630	AL
LEVER FRONT BRAKE CAM (Ref # 12)	41053-005	1
WASHER BRAKE CAM SHT (Ref # 13)	41052-001	1
WASHER PLAIN 6MM (Ref # 14)	410B0600	1
NUT 6MM (Ref # 15)	311B0600	1
DRUM-ASSY,FR BRK (Ref # 17~21)	41034-004	1
BEARING BALL #6301Z (Ref # 18)	601B6301Z	1
SPACER FR HUB BEARING (Ref # 19)	41039-005	1
BEARING BALL #6301 (Ref # 20)	601B6301	1
OIL SEAL FR BRK DRUM (Ref # 21)	92050-011	1
COLLAR FRONT HUB R.H (Ref # 22)	41069-005	1
DUST SHIELD FR BRAKE (Ref # 23)	41042-006	1
AXLE-FRONT (Ref # 24)	41068-032	1
TORQUE LINK-FRNT BRK (Ref # 25)	43007-022	1
BOLT-HEA HEAD,8X20 (Ref # 26)	92001-086	2
WASHER-LOCK (Ref # 27)	92088-012	2