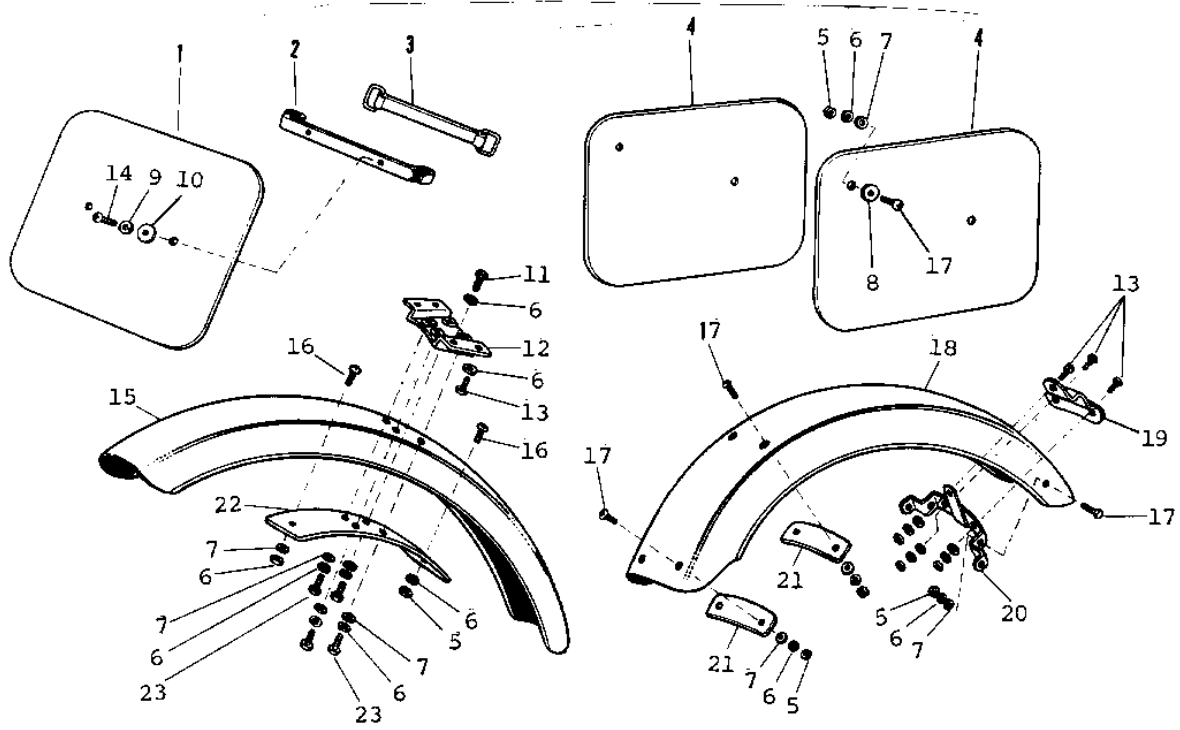
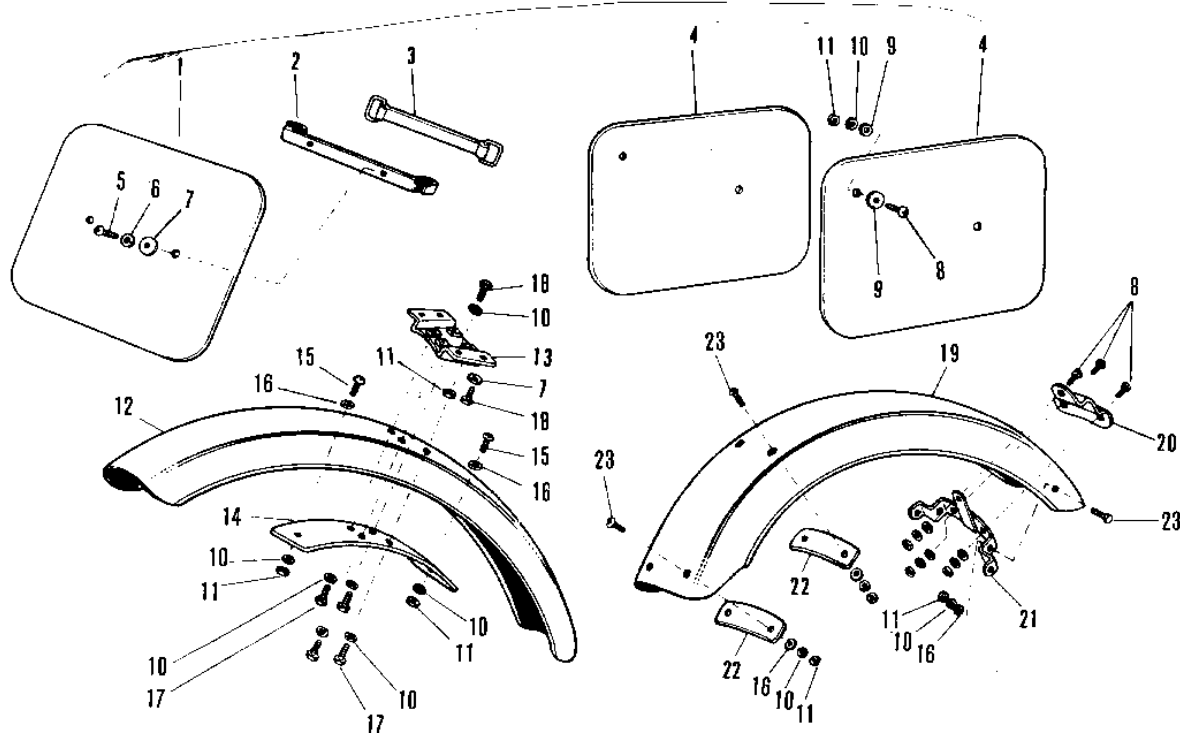


# 1970 Centurion PARTS DIAGRAM

## FENDERS/NUMBER PLATES



**FRONT**



20

Re

# 1970 Centurion PARTS LIST

## FENDERS/NUMBER PLATES

ITEM NAME	PART NUMBER	QUANTITY
PLATE FRONT NUMBER (Ref # 1)	58029-005	1
BRACKET FRNT NO PLATE (Ref # 2)	58030-003	1
BAND BATTERY (Ref # 3)	92072-006	1
PLATE REAR NUMBER (Ref # 4)	58029-010	2
NUT 6MM (Ref # 5)	311B0600	19
WASHER SPRING 6MM (Ref # 6)	461F0600	23
WASHER PLAIN 6MM (Ref # 7)	411B0600	17
WASHER PLAIN (Ref # 8)	92022-024	4
WASHER SPRING 8MM (Ref # 9)	461F0800	2
WASHER PLAIN 8MM (Ref # 10)	411B0800	2
BOLT-UPSET (Ref # 11)	112G0630	2
BRACKET FRONT FENDER (Ref # 12)	35012-006	1
BOLT-UPSET 6X14 (Ref # 13)	112B0614	5
BOLT-SMALL-UPSET,8X16 (Ref # 14)	115G0816	2
FENDER-FR (Ref # 15)	35004-040	1
SCREW PAN HEAD 6X10 (Ref # 16)	220B0610	2
BOLT-UPSET,6X12 (Ref # 17)	112G0612	10
FENDER-RR (Ref # 18)	35022-042	1
BRACKET REAR FENDER A (Ref # 19)	35025-013	1
BRACKET REAR FENDER B (Ref # 20)	35025-014	1
BRACKET (Ref # 21)	35026-002	2
STAY FRONT FENDER (Ref # 22)	35013-002	1
SCREW PAN HEAD 6X12 (Ref # 23)	220B0612	4
PLATE-FRONT NUMBER (Ref # 1)	58029-013	1
BRACKET FRNT NO PLATE (Ref # 2)	58030-003	1
BAND BATTERY (Ref # 3)	92072-006	1
PLATE-REAR NUMBER (Ref # 4)	58029-015	2
BOLT-SMALL-UPSET,8X18 (Ref # 5)	115G0818	2
WASHER SPRING 8MM (Ref # 6)	461F0800	2

# 1970 Centurion PARTS LIST

## FENDERS/NUMBER PLATES

ITEM NAME	PART NUMBER	QUANTITY
WASHER,8X26X2.3 (Ref # 7)	92022-1564	2
BOLT-UPSET 6X14 (Ref # 8)	112B0614	7
WASHER 6.5X20X1.6T (Ref # 9)	92022-125	8
WASHER SPRING 6MM (Ref # 10)	461F0600	23
NUT 6MM (Ref # 11)	311B0600	17
FENDER-FR,L.GREEN (Ref # 12)	35004-040-54	1
BRACKET FRONT FENDER (Ref # 13)	35012-006	1
STAY FRONT FENDER (Ref # 14)	35013-002	1
SCREW PAN HEAD 6X10 (Ref # 15)	220B0610	2
WASHER PLAIN 6MM (Ref # 16)	411B0600	4
SCREW PAN HEAD 6X12 (Ref # 17)	220B0612	4
BOLT-UPSET (Ref # 18)	112G0625	4
FENDER-RR,L.GREEN (Ref # 19)	35022-042-54	1
BRACKET REAR FENDER A (Ref # 20)	35025-013	1
BRACKET REAR FENDER B (Ref # 21)	35025-014	1
BRACKET (Ref # 22)	35026-002	2
BOLT-UPSET,6X12 (Ref # 23)	112G0612	6