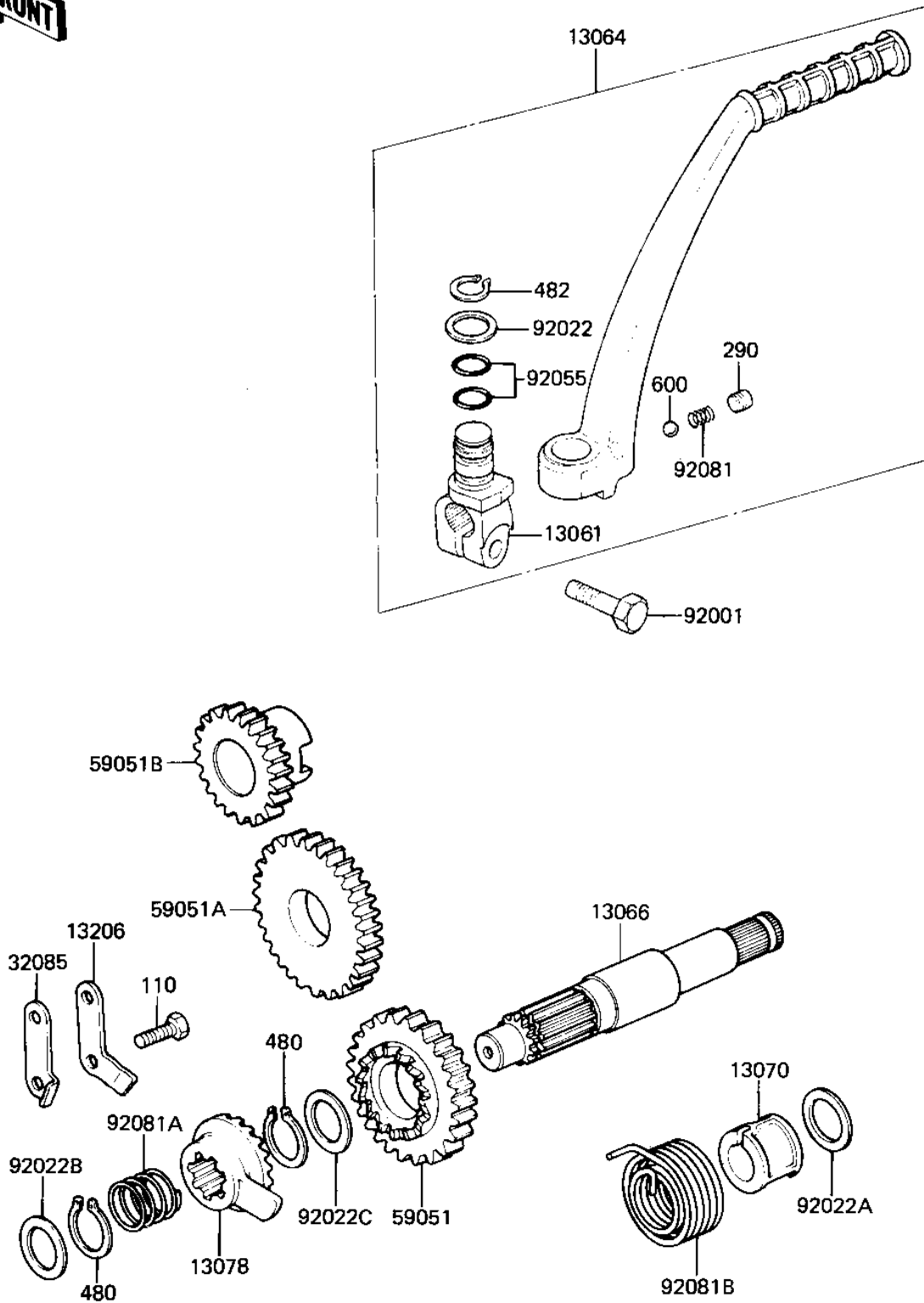


# 1982 KLR250 PARTS DIAGRAM

## KICKSTARTER MECHANISM

E1340-0020



# 1982 KLR250 PARTS LIST

## KICKSTARTER MECHANISM

ITEM NAME	PART NUMBER	QUANTITY
BOSS,KICK PEDAL (Ref # 13061)	13061-1045	1
PEDAL ASSY,KICK (Ref # 13064)	13064-1027	1
SHAFT,KICK (Ref # 13066)	13066-1018	1
GUID,KICKSTARTER SPRG (Ref # 13070)	13070-011	1
RATCHET,KL250-D2 (Ref # 13078)	13078-1052	1
GUIDE,KICK RATCHET (Ref # 13206)	13206-1004	1
STOPPER,KICKSTARTER (Ref # 32085)	13072-017	1
GEAR-COMP,KICKSTARTER (Ref # 59051)	13216-1099	1
IDLE GEAR,KICKSTARTER (Ref # 59051A)	13073-013	1
PINION,KICKSTARTER (Ref # 59051B)	13075-012	1
BOLT,HEX HEAD,8X28 (Ref # 92001)	92001-1042	1
WASHER,PLAIN (Ref # 92022)	92022-1019	1
WASHER THRUST (Ref # 92022A)	92022-118	1
WASHER,PLAIN (Ref # 92022B)	92022-269	1
WASHER,PLAIN (Ref # 92022C)	92022-315	1
"O" RING (Ref # 92055)	92055-061	2
SPRING KICK PEDAL (Ref # 92081)	92081-020	1
SPRING,RATCHET (Ref # 92081A)	92081-122	1
SPRING-KICKSTARTER (Ref # 92081B)	92082-003	1
BOLT-UPSET (Ref # 110)	112G0618	2
SCREW,8X8 (Ref # 290)	290Q0808	1
CIRCLIP 16MM (Ref # 480)	480J1600	2
CIR CLIP (Ref # 482)	482K0100	1
BALL STEEL 1/4' (Ref # 600)	600A0800	1