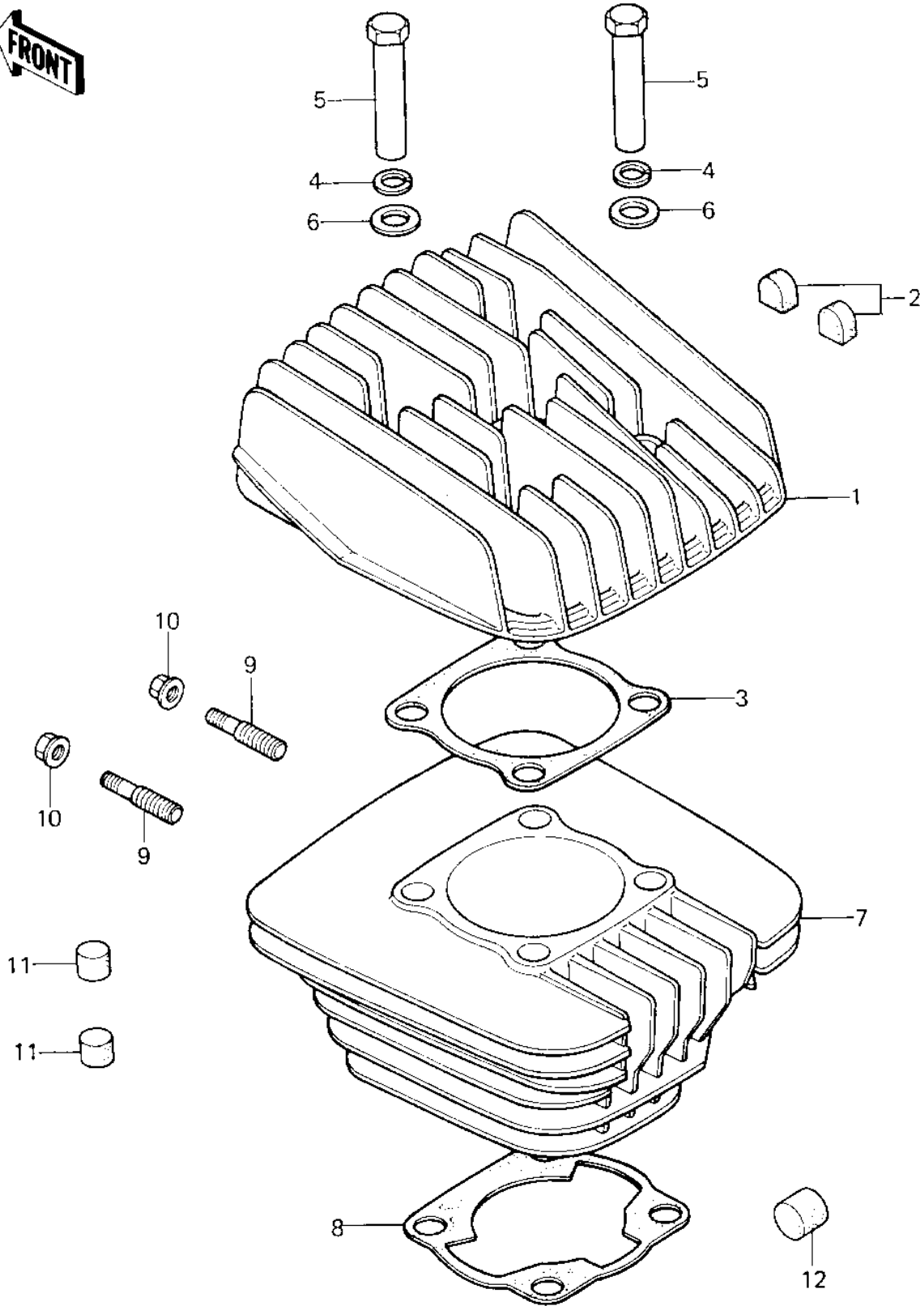


1980 KE125 PARTS DIAGRAM

CYLINDER HEAD/CYLINDER ('80-'81 A7/A8)



1980 KE125 PARTS LIST

CYLINDER HEAD/CYLINDER ('80-'81 A7/A8)

| ITEM NAME | PART NUMBER | QUANTITY |
|---------------------------------|-------------|----------|
| HEAD,CYLINDER,F.BLACK (Ref # 1) | 11001-1033 | 1 |
| DAMPER RUBBER (Ref # 2) | 92075-1176 | 12 |
| GASKET,CYLINDER HEAD (Ref # 3) | 11004-064 | 1 |
| WASHER SPRING 12MM (Ref # 4) | 461F1200 | 4 |
| NUT 8MM (Ref # 5) | 92015-020 | 4 |
| WASHER PLAIN 12MM (Ref # 6) | 92022-072 | 4 |
| CYLINDER,F.BLACK (Ref # 7) | 11005-1073 | 1 |
| GASKET,CYLINDER BASE (Ref # 8) | 11009-037 | 1 |
| STUD (Ref # 9) | 92004-029 | 2 |
| NUT-6MM (Ref # 10) | 92015-1078 | 2 |
| DAMPER RUBBER-CYL-HD (Ref # 11) | 92075-109 | 10 |
| DAMPER RUBBER-CYL HD (Ref # 12) | 92075-117 | 2 |