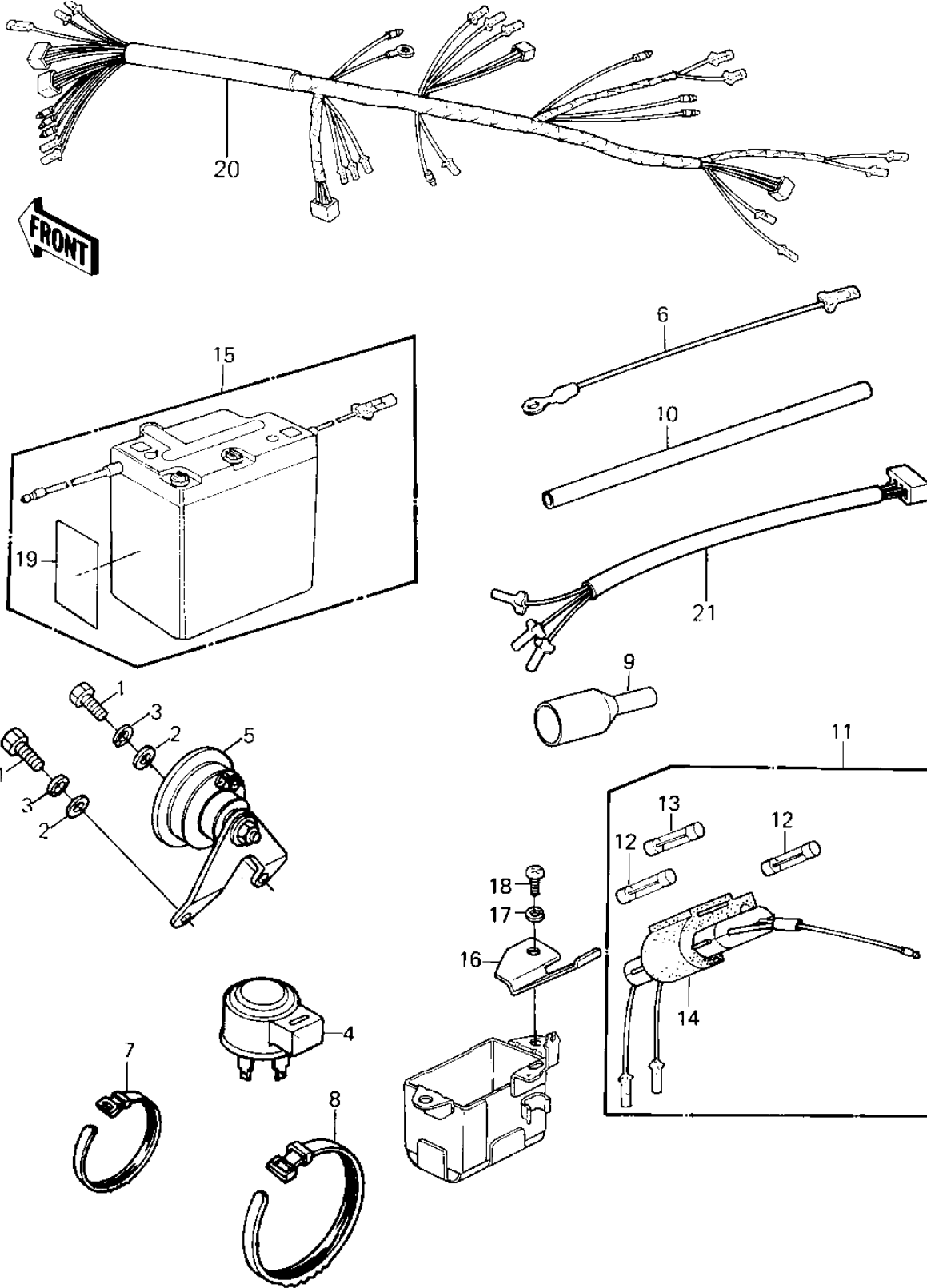


1980 KE125 PARTS DIAGRAM

CHASSIS ELECTRICAL EQUIPMENT ('80-'81 A7)



1980 KE125 PARTS LIST

CHASSIS ELECTRICAL EQUIPMENT ('80-'81 A7)

ITEM NAME	PART NUMBER	QUANTITY
BOLT-UPSET,6X16 (Ref # 1)	112G0616	2
WASHER PLAIN 6MM (Ref # 2)	411B0600	2
WASHER SPRING 6MM (Ref # 3)	461F0600	2
RELAY-TURN SIGNAL (Ref # 4)	27002-013	1
HORN (Ref # 5)	27003-1008	1
WIRE,LEAD (Ref # 6)	26011-093	1
BAND,SHORT (Ref # 7)	92072-030	7
BAND,SHORT (Ref # 7)	92072-030	6
BAND,LONG (Ref # 8)	92072-032	4
BAND,LONG (Ref # 8)	92072-032	3
COVER,REAR HARNESS (Ref # 9)	14025-1183	1
TUBE,6X7X380 (Ref # 10)	92059-1143	2
FUSE ASSY (Ref # 11)	26004-1010	1
FUSE,15A,L=30M/M (Ref # 12)	26006-1003	2
FUSE,10A,L=30M/M (Ref # 13)	26006-1002	1
DAMPER RUBBER (Ref # 14)	92075-1044	1
YUA BAT 6N6-1D-2 (Ref # 15)	K26012-034	1
BRACKET,FUSE (Ref # 16)	11034-1368	1
WASHER SPRING 5MM (Ref # 17)	461F0500	1
SCREW PAN HEAD 5X10 (Ref # 18)	220B0510	1
LABEL-WARNING,BATTERY (Ref # 19)	56040-1036	1
WIRING HARNESS,MAIN (Ref # 20)	26001-1133	1
WIRING HARNESS,MAIN (Ref # 20)	26001-1161	1
HARNESS,MAIN (Ref # 20)	26001-1225	1
WIRING HARNESS,TL LMP (Ref # 21)	26002-046	1