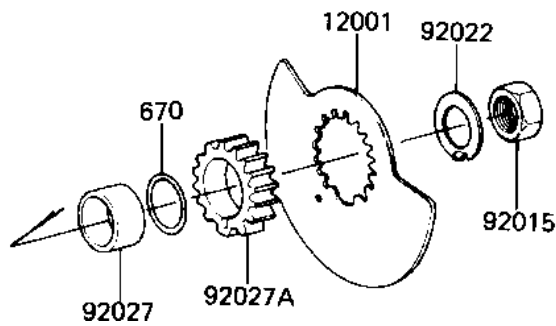
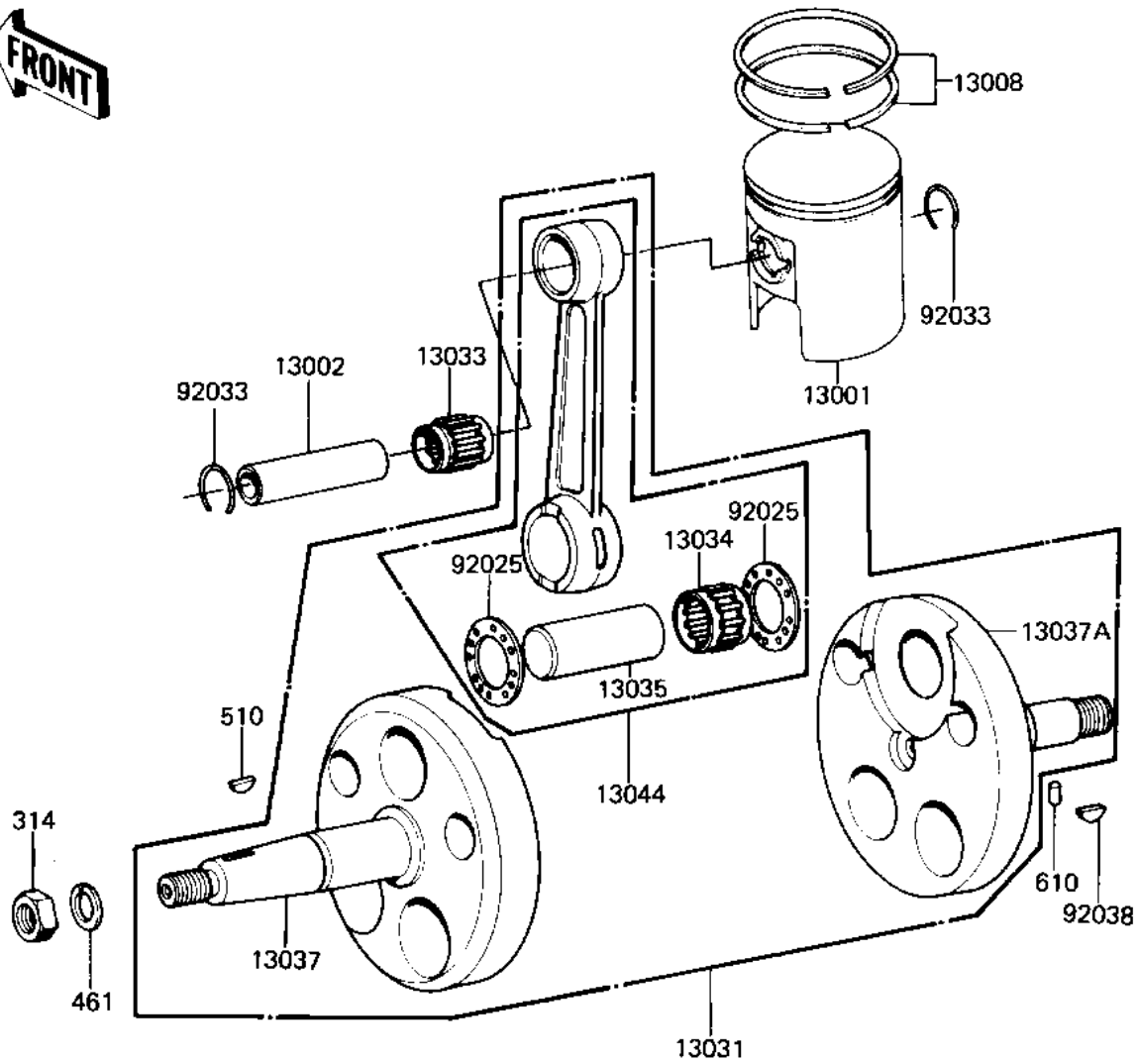


# 1982 KE125 PARTS DIAGRAM

CRANKSHAFT/PISTON/ROTARY VALVE ('82-'83)



# 1982 KE125 PARTS LIST

CRANKSHAFT/PISTON/ROTARY VALVE ('82-'83)

ITEM NAME	PART NUMBER	QUANTITY
VALVE,ROTARY DISC (Ref # 12001)	12002-029	1
PISTON-ENGINE,STD (Ref # 13001)	13001-1124	1
PIN-PISTON (Ref # 13002)	13002-1002	1
RING-SET,PISTON,S.T.D (Ref # 13008)	13008-5010	1
CRANK AND CONROD ASSY (Ref # 13031)	13031-1003	1
BRG,N,UR14/20AP-1 (Ref # 13033)	13033-035	1
BRG,NEEDLE,KT202715EG (Ref # 13034)	13034-1001	1
CRANK PIN (Ref # 13035)	13035-033	1
CRANKSHAFT,L.H (Ref # 13037)	13037-059	1
CRANKSHAFT,R.H. (Ref # 13037A)	13037-1084	1
CONNECTING ROD SET (Ref # 13044)	13044-5003	1
NUT 12MM (Ref # 92015)	92015-006	1
WASHER LOCK 12MM (Ref # 92022)	92024-003	1
WASHER SIDE (Ref # 92025)	92025-005	2
COLLAR,ENG SPROCKET (Ref # 92027)	92027-1077	1
COLLAR,ROTARY DISC (Ref # 92027A)	92027-1272	1
CIRCLIP PISTON PIN (Ref # 92033)	92036-003	2
WOODRUFF KEY PRY PINI (Ref # 92038)	92038-003	1
NUT,10MM (Ref # 314)	314B1000	1
WASHER SPRING 10MM (Ref # 461)	461F1000	1
WOODRUFF KEY (Ref # 510)	510A3200	1
PIN DOWEL 4X10 (Ref # 610)	610A0410	1
"O" RING,16MM (Ref # 670)	670B2016	1