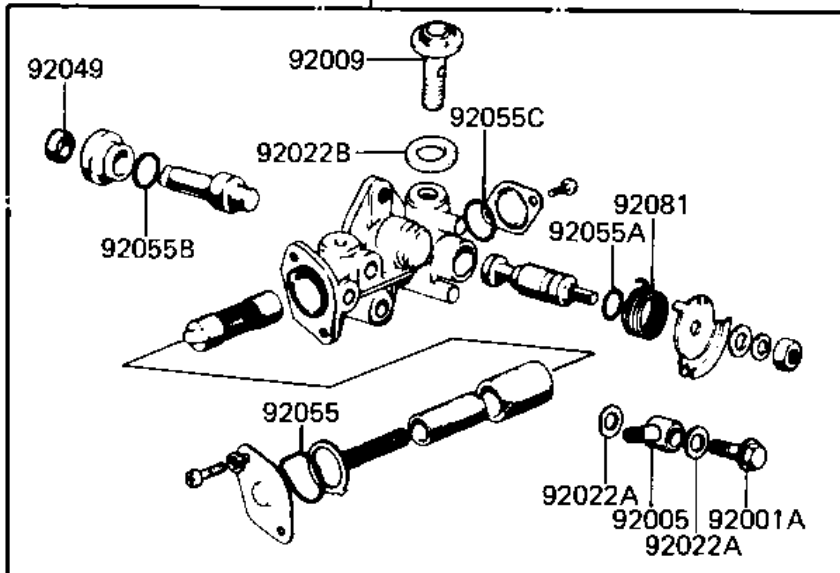
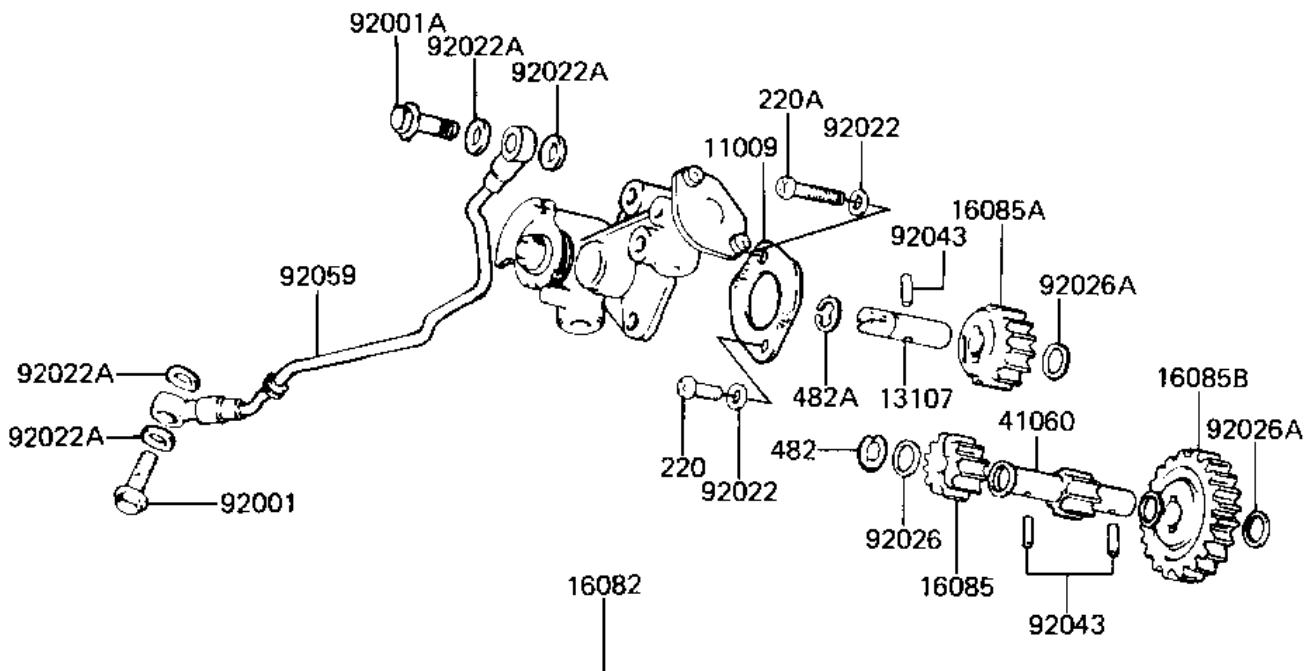


1983 KE125 PARTS DIAGRAM

OIL PUMP ('82-'83 A9/A10)

E1710-0026



1983 KE125 PARTS LIST

OIL PUMP ('82-'83 A9/A10)

ITEM NAME	PART NUMBER	QUANTITY
GASKET,OIL PUMP (Ref # 11009)	11060-1160	1
SHAFT,OIL PUMP GEAR (Ref # 13107)	16086-003	1
OIL PUMP ASSY (Ref # 16082)	16082-1014	1
GEAR,OIL PUMP (Ref # 16085)	16085-020	1
GEAR,OIL PUMP (Ref # 16085A)	16085-021	1
GEAR,OIL PUMP (Ref # 16085B)	16085-021	1
PINION,TACHOMETER (Ref # 41060)	13224-010	1
BOLT BANJO (Ref # 92001)	92060-008	1
BOLT-BANJO,6MM (Ref # 92001A)	92060-013	2
CONNECTOR BANJO (Ref # 92005)	92061-009	1
BOLT,AIR VENT (Ref # 92009)	92009-1010	1
WASHER OIL PUMP (Ref # 92022)	92022-037	2
WASHER OIL PUMP BANJO (Ref # 92022A)	92022-077	6
WASHER (Ref # 92022B)	92022-1006	1
WASHER,THRUST (Ref # 92026)	92026-095	5
PIN,DOWEL (Ref # 92043)	92042-035	3
OIL SEAL OIL PUMP SHT (Ref # 92049)	16091-001	1
"O" RING,UPPER CAP (Ref # 92055)	16088-002	1
SEAL-OIL,CAMSHAFT,"X" (Ref # 92055A)	92049-1294	1
"O" RING,OIL PUMP SHT (Ref # 92055B)	16090-002	1
"O" RING,LOWER CAP (Ref # 92055C)	16090-004	1
PIPE,OIL (Ref # 92059)	16134-022	1
SPRING,OIL PUMP LEVER (Ref # 92081)	16093-007	1
SCREW-PAN-CROS (Ref # 220)	220B0514	1
SCREW PAN CROSS,5X28 (Ref # 220A)	220B0528	1
CIRCLIP 6MM (Ref # 482)	482J6000	1
CIRCLIP 7MM (Ref # 482A)	482J7000	1