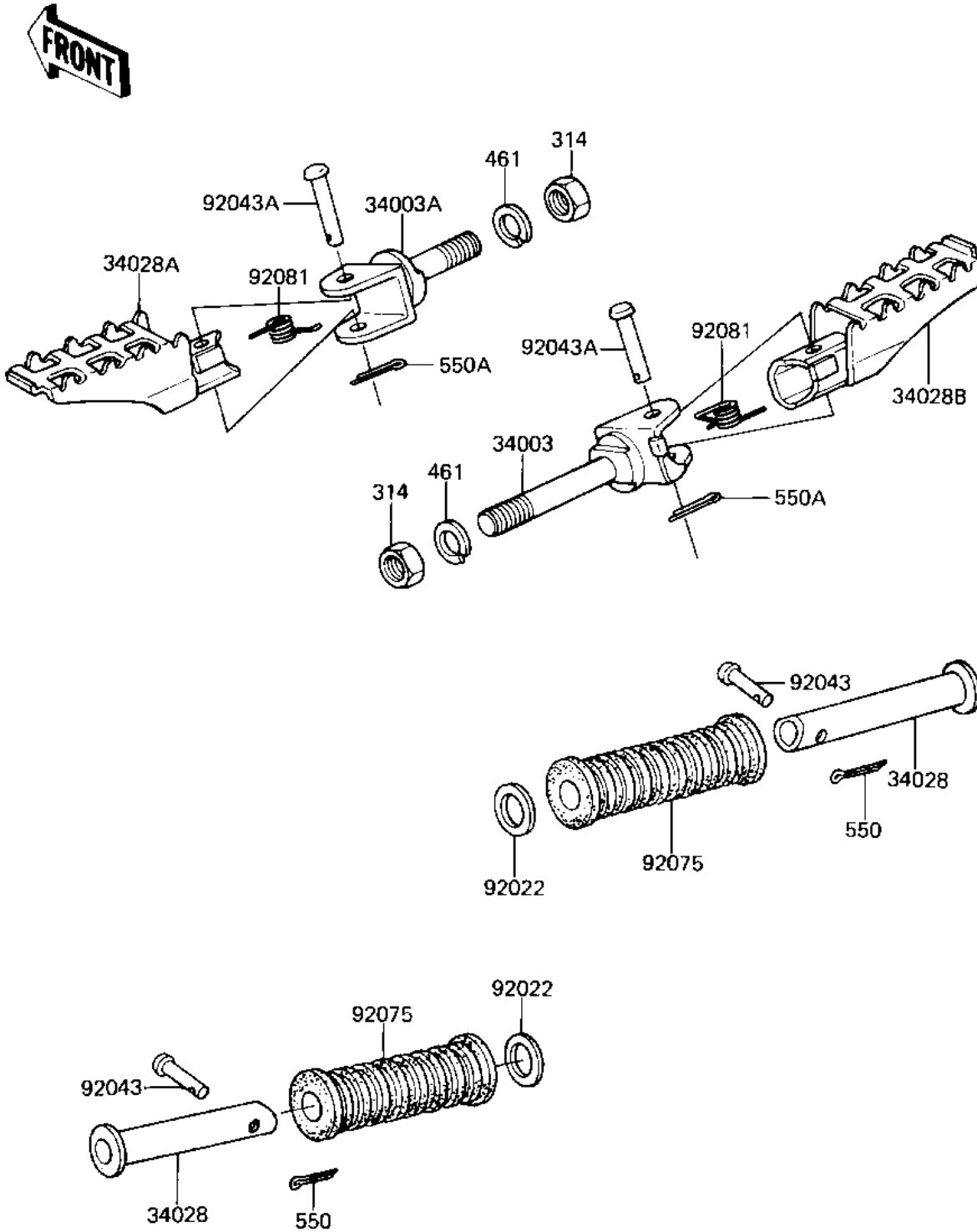


1982 KE125 PARTS DIAGRAM

FOOTRESTS ('82-'83 A9/A10)

F2160-0034



1982 KE125 PARTS LIST

FOOTRESTS ('82-'83 A9/A10)

ITEM NAME	PART NUMBER	QUANTITY
HOLDER-STEP,RH (Ref # 34003)	34003-1111	1
HOLDER-STEP,FR,LH (Ref # 34003A)	34003-1112	1
BAR-RR FOOTREST (OPT) (Ref # 34028)	34028-009	2
STEP,L.H FR FOOTREST (Ref # 34028A)	34028-1013	1
STEP,R.H FR FOOTREST (Ref # 34028B)	34028-1014	1
WASHER-PLAIN (OPT) (Ref # 92022)	92022-199	2
PIN (Ref # 92043)	92043-1464	2
PIN-FOOTREST BAR FIT (Ref # 92043A)	92043-080	2
RUBBER,REAR FOOTREST (Ref # 92075)	92076-024	2
SPRING,FR FOOTREST (Ref # 92081)	92081-1133	2
NUT,14MM (Ref # 314)	314B1400	2
WASHER SPRING 14MM (Ref # 461)	461F1400	2
PIN COTTER 2.0X15 (Ref # 550)	550D2015	2
PIN,COTTER,2.5X15 (Ref # 550A)	550D2515	2