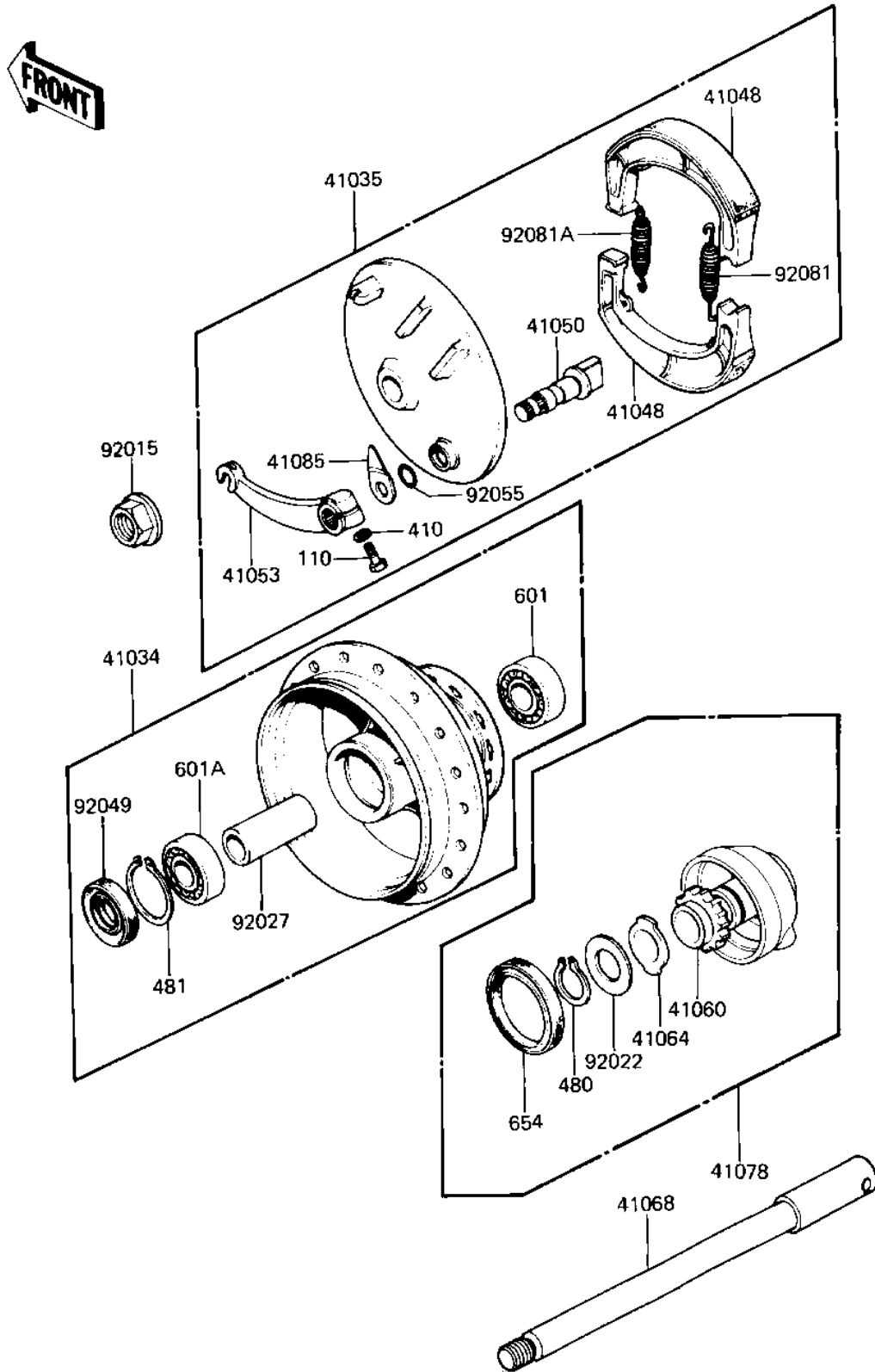


# 1983 KE125 PARTS DIAGRAM

FRONT HUB/BRAKE ('82-'83 A9/A10)

F 223U-0035



# 1983 KE125 PARTS LIST

FRONT HUB/BRAKE ('82-'83 A9/A10)

ITEM NAME	PART NUMBER	QUANTITY
DRUM-ASSY,FR BRK (Ref # 41034)	41034-1024	1
PANEL-ASY,FR BRK (Ref # 41035)	41035-1035	1
SHOE,BRAKE (Ref # 41048)	41048-015	2
CAM SHAFT,FRONT BRAKE (Ref # 41050)	41050-012	1
LEVER,FRNT BRAKE CAM (Ref # 41053)	41053-020	1
GEAR,SPEEDOMETER (Ref # 41060)	41059-024	1
RECEIVER,SPEED GEAR (Ref # 41064)	41064-011	1
AXLE,FR (Ref # 41068)	41068-1064	1
CASE-ASSY-METER GEAR (Ref # 41078)	41078-1019	1
INDICATOR,FR BRK PNL (Ref # 41085)	41085-002	1
NUT-12MM (Ref # 92015)	92015-1156	1
WASHER,THRUST (Ref # 92022)	41065-004	1
SPACER,FR HUB BEARING (Ref # 92027)	41039-025	1
OIL SEAL,FR BK DRUM (Ref # 92049)	92050-059	1
"0" RING,11MM (Ref # 92055)	92055-004	1
SPRING,BRAKE SHOE (Ref # 92081)	92081-1766	1
SPRING,BRAKE SHOE (Ref # 92081A)	92081-1550	1
BOLT-UPSET (Ref # 110)	112G0622	1
WASHER PLAIN 6MM (Ref # 410)	410B0600	1
CIRCLIP,19MM (Ref # 480)	480J1900	1
CIRCLIP,37MM (Ref # 481)	481J3700	1
BEARING BALL #6201 (Ref # 601)	601B6201	1
BEARING BALL #6301 (Ref # 601A)	601B6301	1
OIL SEAL (Ref # 654)	654A405208	1