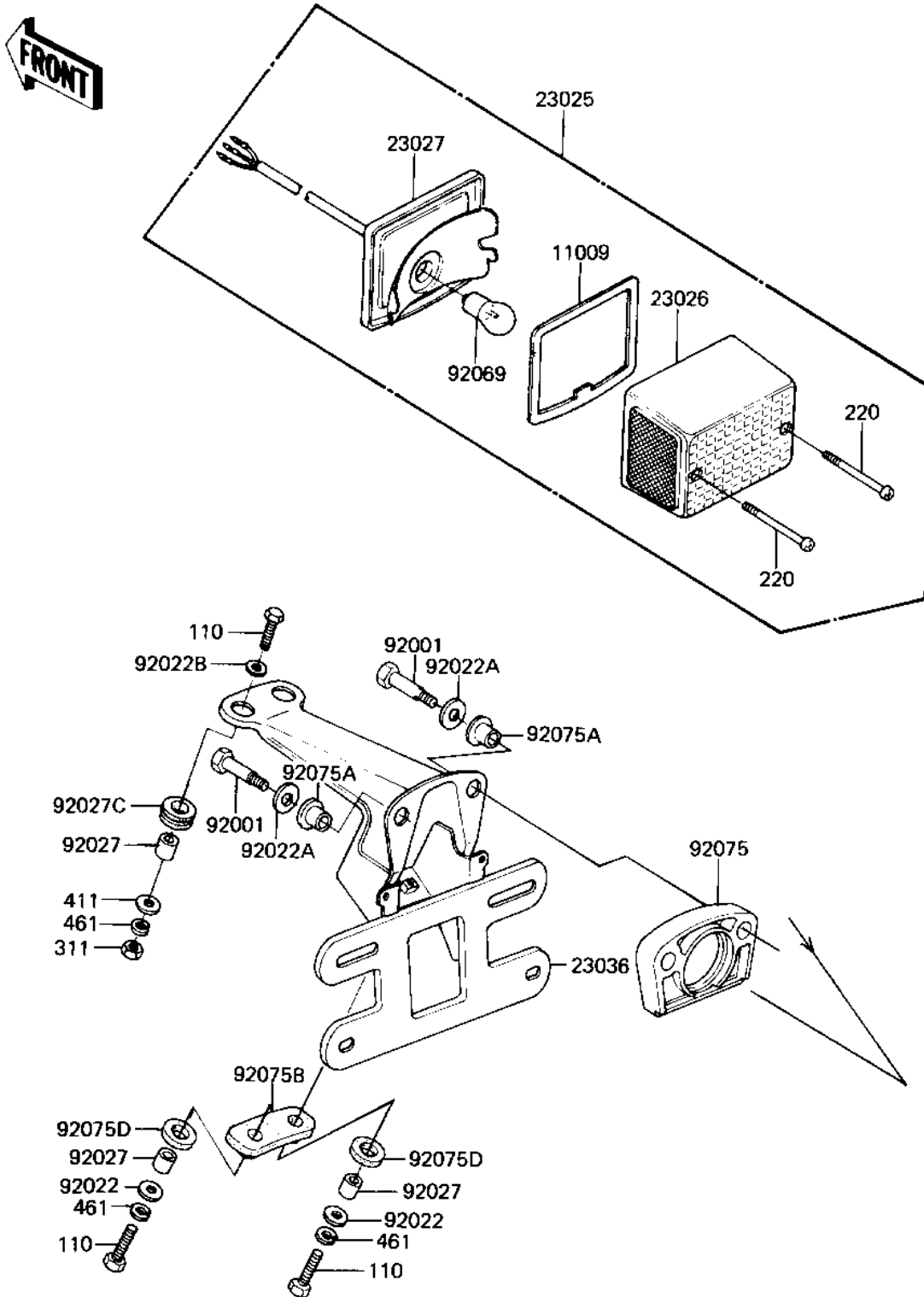


# 1983 KE125 PARTS DIAGRAM

TAILLIGHT ('82-'83 A9/A10)

F2720-0058



# 1983 KE125 PARTS LIST

TAILLIGHT ('82-'83 A9/A10)

ITEM NAME	PART NUMBER	QUANTITY
GASKET,TAIL LAMP LENS (Ref # 11009)	11009-1078	1
LAMP-TAIL (Ref # 23025)	23025-1032	1
LENS,TAIL LAMP (Ref # 23026)	23026-1003	1
CASE,TAIL LAMP (Ref # 23027)	23027-1020	1
BRACKET-TAIL LAMP (Ref # 23036)	23036-1038	1
BOLT,HEX HEAD (Ref # 92001)	92001-1118	2
WASHER 6.5X20X1.6T (Ref # 92022)	92022-125	2
WASHER,8.5X20X1.6 (Ref # 92022A)	92022-1561	2
WASHER 6.5X22X1.6T (Ref # 92022B)	92022-237	2
COLLAR,REAR FENDER (Ref # 92027)	92027-162	4
BULB,60-32/3CP (Ref # 92069)	92069-074	1
DAMPER RUBBER,TL LAMP (Ref # 92075)	92075-1094	1
DAMPER RUBBER (Ref # 92075A)	92075-1095	2
DAMPER,RR FENDER (Ref # 92075B)	92075-1305	1
DAMPER RUBBER,RR FENR (Ref # 92075C)	92075-209	2
DAMPER RUBBER,SIGNAL (Ref # 92075D)	92075-310	2
BOLT-UPSET (Ref # 110)	112G0625	4
SCREW-PAN-CROS,4X40 (Ref # 220)	220R0440	2
NUT 6MM (Ref # 311)	311B0600	2
WASHER PLAIN 6MM (Ref # 411)	411B0600	2
WASHER SPRING 6MM (Ref # 461)	461F0600	4