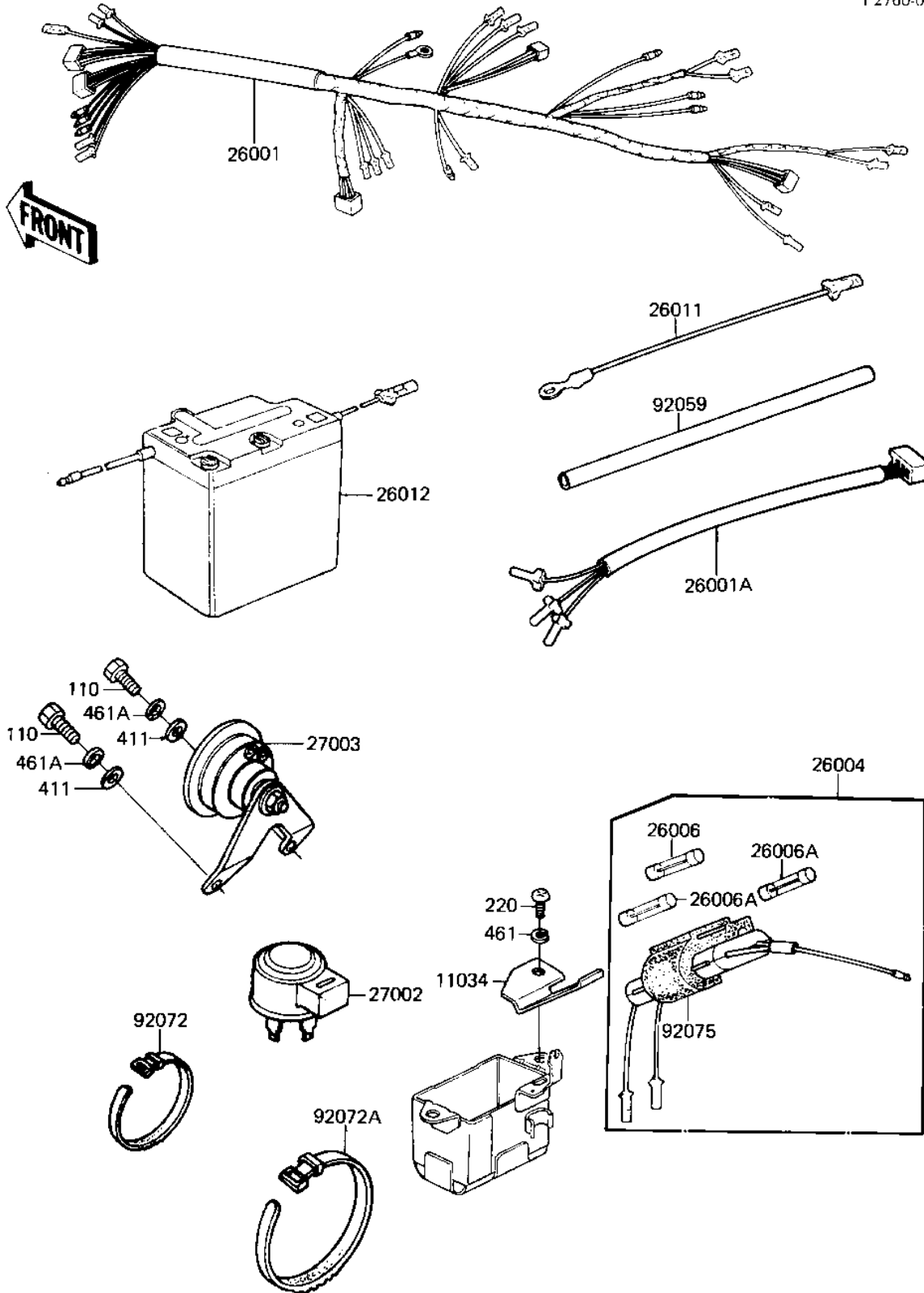


# 1982 KE125 PARTS DIAGRAM

CHASSIS ELECTRICAL EQUIPMENT ('82-'83 A9)

F2760-0187



# 1982 KE125 PARTS LIST

## CHASSIS ELECTRICAL EQUIPMENT ('82-'83 A9)

ITEM NAME	PART NUMBER	QUANTITY
BRACKET,FUSE (Ref # 11034)	11034-1368	1
HARNESS,MAIN (Ref # 26001)	26001-1225	1
WIRING HARNESS,TL LMP (Ref # 26001A)	26002-046	1
FUSE ASSY (Ref # 26004)	26004-1010	1
FUSE,10A,L=30M/M (Ref # 26006)	26006-1002	1
FUSE,15A,L=30M/M (Ref # 26006A)	26006-1003	2
WIRE,LEAD (Ref # 26011)	26011-093	1
YUA BAT 6N6-1D-2 (Ref # 26012)	K26012-034	1
RELAY-TURN SIGNAL (Ref # 27002)	27002-013	1
HORN (Ref # 27003)	27003-1008	1
TUBE,6X7X380 (Ref # 92059)	92059-1143	2
BAND,SHORT (Ref # 92072)	92072-030	6
BAND,LONG (Ref # 92072A)	92072-032	3
DAMPER RUBBER (Ref # 92075)	92075-1044	1
BOLT-UPSET,6X16 (Ref # 110)	112G0616	2
SCREW PAN HEAD 5X10 (Ref # 220)	220B0510	1
WASHER PLAIN 6MM (Ref # 411)	411B0600	2
WASHER SPRING 5MM (Ref # 461)	461F0500	1
WASHER SPRING 6MM (Ref # 461A)	461F0600	2