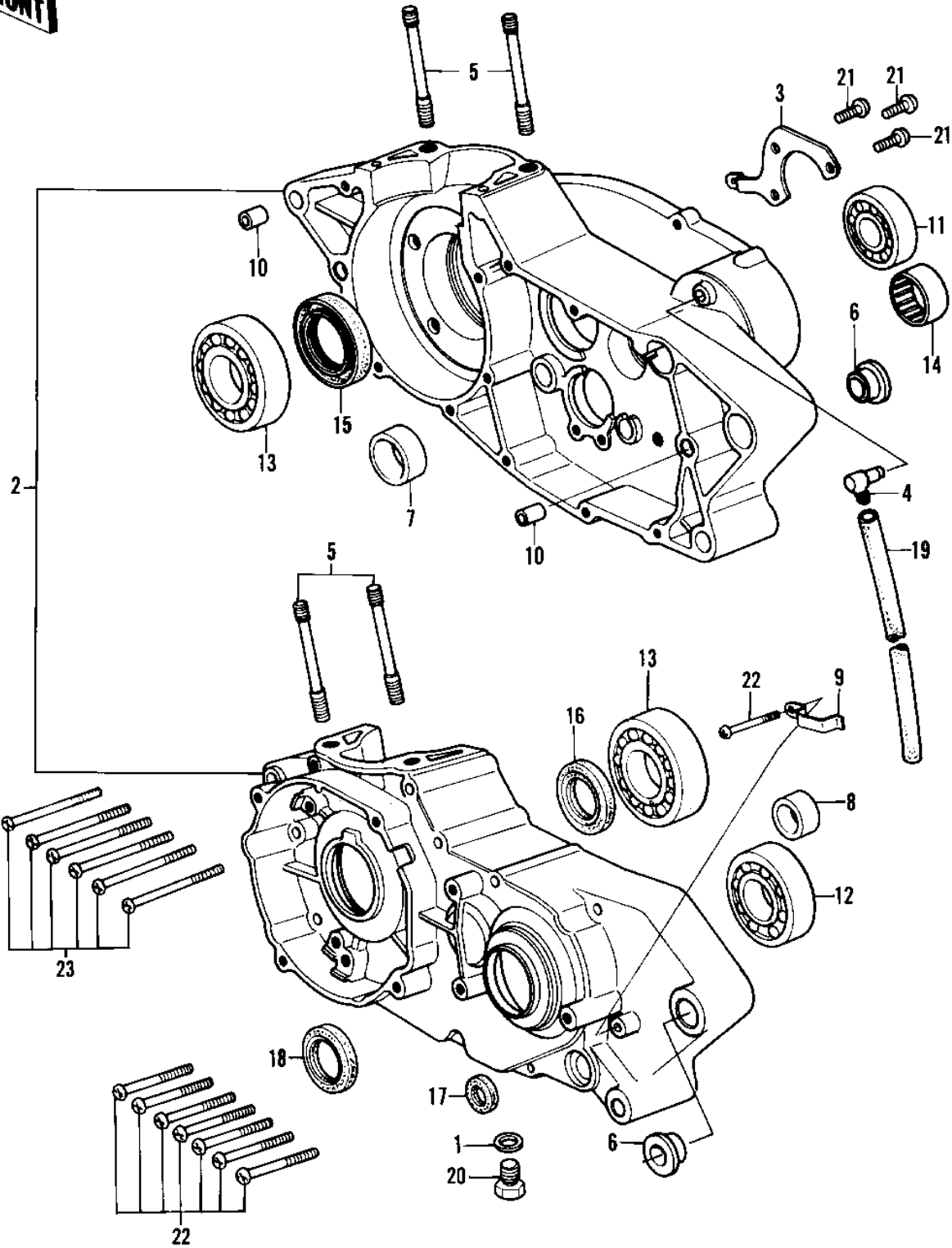


1982 KDX450 PARTS DIAGRAM

CRANKCASE



1C

1982 KDX450 PARTS LIST

CRANKCASE

ITEM NAME	PART NUMBER	QUANTITY
GASKET CHECK VALVE (Ref # 1)	92065-058	1
SET-CRANKCASE (Ref # 2)	14001-5106	1
PLATE,POSITION,DRIVE (Ref # 3)	14014-1012	1
BREATHER (Ref # 4)	14069-003	1
STUD,10X72 (Ref # 5)	92004-1023	4
BUSHING,CASE PIVOT (Ref # 6)	92028-1123	2
BUSHING (Ref # 7)	92028-131	1
BUSHING (Ref # 8)	92028-132	1
CLAMP (Ref # 9)	92037-1073	1
PIN,DOWEL,10X8.2X14 (Ref # 10)	92043-1037	2
BEARING,BALL (Ref # 11)	92045-1006	1
BEARING,BALL,#6305 (Ref # 12)	92045-1011	1
BEARING,B,6306SH2-9TC (Ref # 13)	92045-1027	2
BEARING,NEEDLE,344012 (Ref # 14)	92046-040	1
OIL SEAL,ACJ386210 (Ref # 15)	92049-1046	1
OIL SEAL,TB30508 (Ref # 16)	92050-057	1
OIL SEAL,CHANGE SHAFT (Ref # 17)	92050-082	1
SEAL-OIL,TC32457 (Ref # 18)	92049-1159	1
TUBE,6X9X500 (Ref # 19)	92059-1125	1
PLUG OIL DRAIN (Ref # 20)	92067-001	1
SCREW PAN HEAD 6X14 (Ref # 21)	220B0614	3
SCREW PAN HEAD 6X50 (Ref # 22)	220B0650	8
SCREW PAN HEAD 6X70 (Ref # 23)	220B0670	6