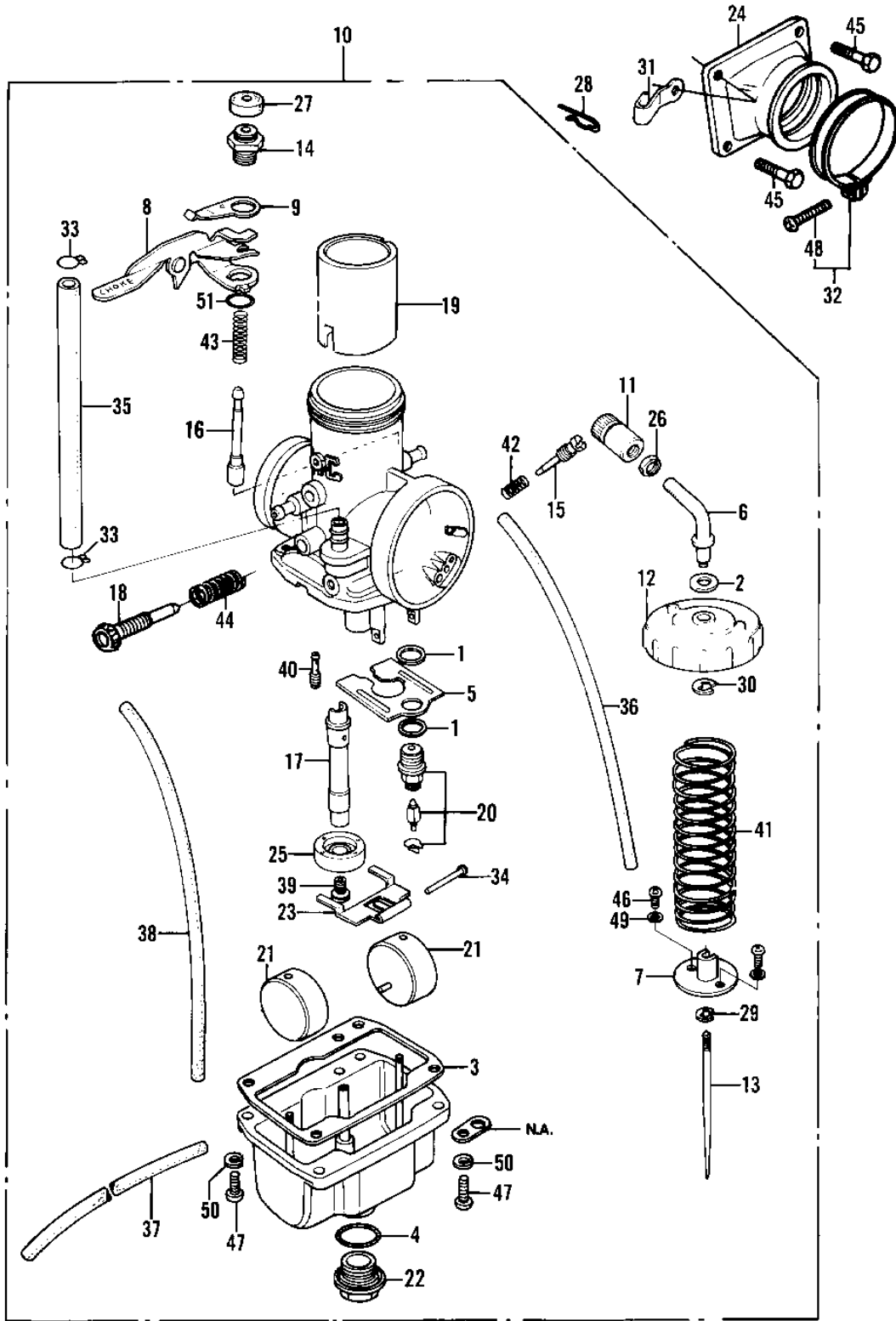


# 1982 KDX450 PARTS DIAGRAM

CARBURETOR



# 1982 KDX450 PARTS LIST

## CARBURETOR

ITEM NAME	PART NUMBER	QUANTITY
GASKET,FLOAT VALVE (Ref # 1)	11009-1076	2
GASKET,CABLE GUIDE (Ref # 2)	11009-1191	1
GASKET,FLOAT CHAMBER (Ref # 3)	16019-028	1
GASKET-COVER (Ref # 4)	16038-009	1
BAFFLE-CARB (Ref # 5)	16038-019	1
GUIDE,CABLE (Ref # 6)	13070-1014	1
CONNECTOR,THROTTLE (Ref # 7)	13159-1010	1
LEVER,STARTER PLUNGER (Ref # 8)	13168-1048	1
SPRING PLATE,STARTER (Ref # 9)	13169-1052	1
CARBURETOR (Ref # 10)	16001-1490	1
ADJUSTER,CABLE (Ref # 11)	16002-1006	1
TOP,MIXING CHAMBER (Ref # 12)	16004-1010	1
NEEDLE-JET,6G03 (Ref # 13)	16009-1109	1
CAP,STARTER PLUNGER (Ref # 14)	16012-019	1
SCREW (Ref # 15)	16014-006	1
PLUNGER ASSY,STARTER (Ref # 16)	16016-1008	1
NEEDLE JET,R-2 (Ref # 17)	16017-1066	1
SCREW,THROTTLE STOP (Ref # 18)	16021-1034	1
VALVE-THROTTLE,CA3.0 (Ref # 19)	16025-1066	1
VALVE-FLOAT,3.3 (Ref # 20)	16030-1027	1
FLOAT (Ref # 21)	16031-029	2
COVER-MAIN JET (Ref # 22)	16049-1004	1
ARM,FLOAT (Ref # 23)	16055-009	1
HOLDER,CARBURETOR (Ref # 24)	16065-1005	1
HOLDER,NEEDLE JET (Ref # 25)	16065-1045	1
NUT CABLE ADJUST LOCK (Ref # 26)	16003-004	1
CAP,STARTER PLUNGER (Ref # 27)	16039-015	1
CIRCLIP (Ref # 28)	92036-018	1
CIRCLIP (Ref # 29)	16008-010	1

# 1982 KDX450 PARTS LIST

## CARBURETOR

ITEM NAME	PART NUMBER	QUANTITY
CIRCLIP,CABLE GUIDE (Ref # 30)	16008-011	1
CLAMP CABLE (Ref # 31)	92037-016	1
CLAMP,CARBURETOR HLDR (Ref # 32)	92037-116	1
CLAMP,HOSE (Ref # 33)	92037-1184	2
PIN,FLOAT (Ref # 34)	16032-008	1
TUBE,7.5X12.5X225 (Ref # 35)	92059-1123	1
TUBE,3.5X6.5X410 (Ref # 36)	92059-1142	1
TUBE,3.5X6.5X350 (Ref # 37)	92059-1224	1
TUBE,3.5X6.5X450 (Ref # 38)	92059-1225	1
MAIN JET,#155R (Ref # 39)	92063-1025	1
MAIN JET NO 150R (Ref # 39)	92063-120	(1
JET-MAIN NO 152.5R (Ref # 39)	92063-121	(1
MAIN JET,#157.5R (Ref # 39)	92063-1026	(1
MAIN JET,#160R (Ref # 39)	92063-1018	(1
JET-PILOT NO 35 (Ref # 40)	92064-023	1
SPRING,THROTTLE VALVE (Ref # 41)	16006-028	1
SPRING-THR STOP SCREW (Ref # 42)	16022-007	1
SPRING,STRTR PLUNGER (Ref # 43)	92081-1181	1
SPRING,THRTL STP SCRW (Ref # 44)	92081-1200	1
BOLT,FLANGED,6X20 (Ref # 45)	130G0620	4
SCREW PAN HEAD 3X8 (Ref # 46)	220B0308	2
UNAVAILABLE IN PRICE BOOK (Ref # 47)	214B0516A	4
SCREW-PAN-CROS (Ref # 48)	220B0535	1
WASHER SPRING 3MM (Ref # 49)	461F0300	2
WASHER SPRING 5MM (Ref # 50)	461F0500	4
"O" RING,9MM (Ref # 51)	670B1509	1