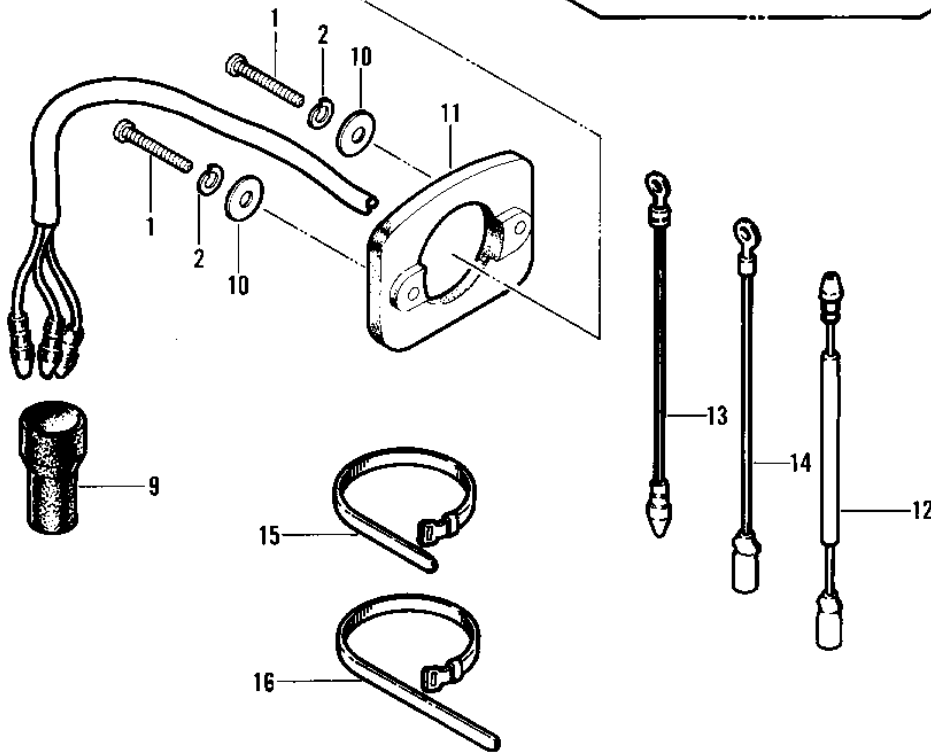
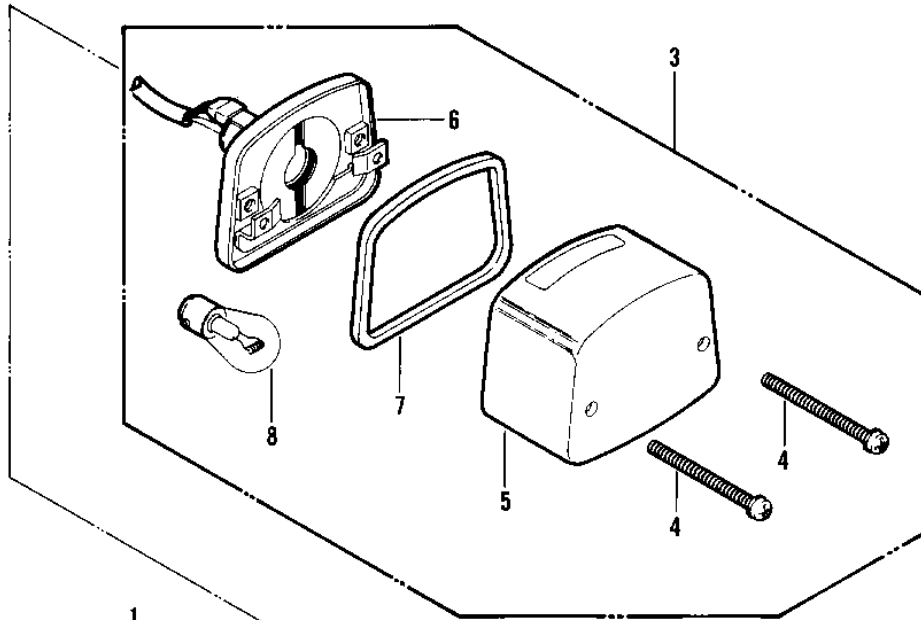


1982 KDX450 PARTS DIAGRAM

TAILLIGHT/CHASSIS ELECTRICAL EQUIPMENT



1982 KDX450 PARTS LIST

TAILLIGHT/CHASSIS ELECTRICAL EQUIPMENT

ITEM NAME	PART NUMBER	QUANTITY
SCREW PAN HEAD 5X20 (Ref # 1)	220B0520	2
WASHER SPRING 5MM (Ref # 2)	461F0500	2
LAMP, TAIL (Ref # 3)	23025-075	1
SCREW-PAN-CROS (Ref # 4)	220B0330	2
LENS, TAIL LAMP (Ref # 5)	23026-040	1
CASE, TAIL LAMP (Ref # 6)	23027-044	1
GASKET, TAIL LIGHT (Ref # 7)	23028-020	1
BULB, 6V 17/5.3W (Ref # 8)	92069-028	1
BOOT, HARNESS COVER (Ref # 9)	49006-1048	1
WASHER, PLAIN, 6MM (Ref # 10)	92022-263	2
DAMPER RUBBER (Ref # 11)	92075-4014	1
WIRE, TAILLAMP (Ref # 12)	26011-4001	1
WIRE, GROUND HEADLAMP (Ref # 13)	26011-4002	1
WIRE, GROUND TAILLITE (Ref # 14)	26011-4003	1
BAND (Ref # 15)	92072-3505	5
BAND (Ref # 16)	92072-3509	4