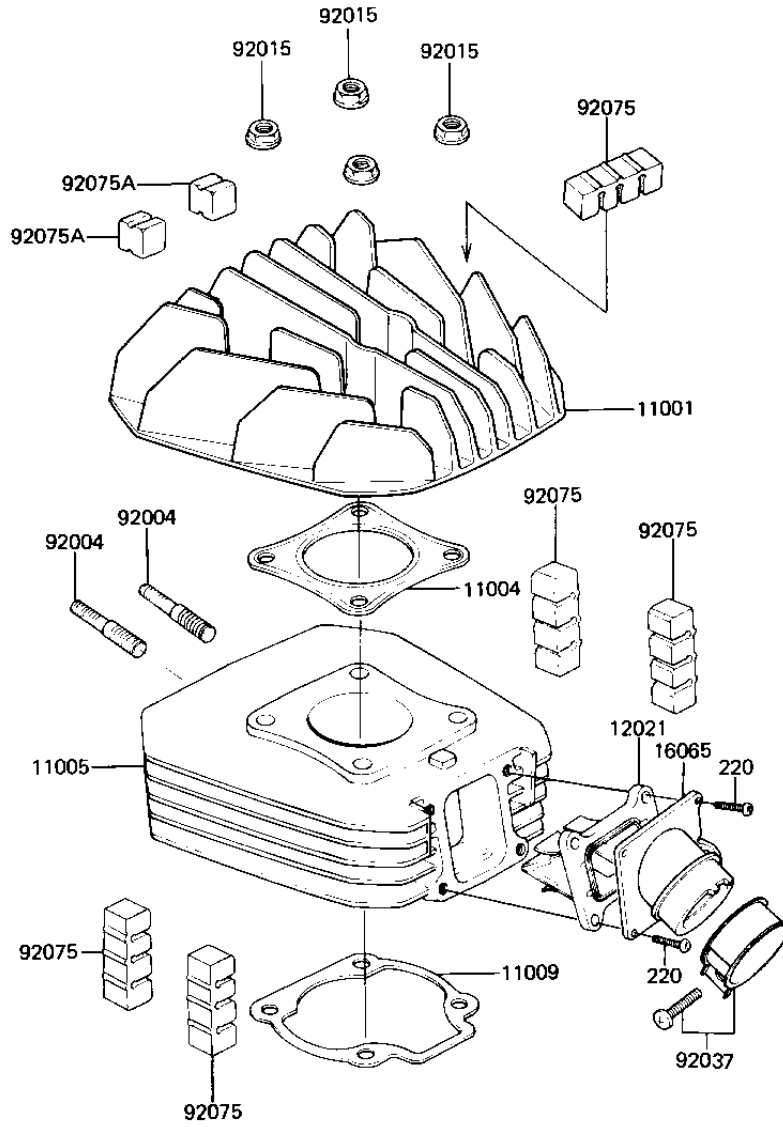


1982 AR80-A1 PARTS DIAGRAM

CYLINDER HEAD/CYLINDER/REED VALVE

E1111-0084



1982 AR80-A1 PARTS LIST

CYLINDER HEAD/CYLINDER/REED VALVE

ITEM NAME	PART NUMBER	QUANTITY
HEAD-CYLINDER,F.BLACK (Ref # 11001)	11001-1096	1
GASKET-HEAD (Ref # 11004)	11004-1179	1
CYLINDER-ENGINE,F.BLACK (Ref # 11005)	11005-1194	1
GASKET,CYLINDER BASE (Ref # 11009)	11060-1171	1
VALVE-ASSY-REED (Ref # 12021)	12021-1018	1
HOLDER-CARBURETOR (Ref # 16065)	16065-5003	1
STUD (Ref # 92004)	92004-029	2
NUT,8M/M (Ref # 92015)	92015-1014	4
CLAMP,CONNECTOR (Ref # 92037)	92037-1127	1
DAMPER,CYLINDER (Ref # 92075)	92075-1268	5
DAMPER (Ref # 92075A)	92075-1339	10
SCREW PAN HEAD 6X20 (Ref # 220)	220B0620	4