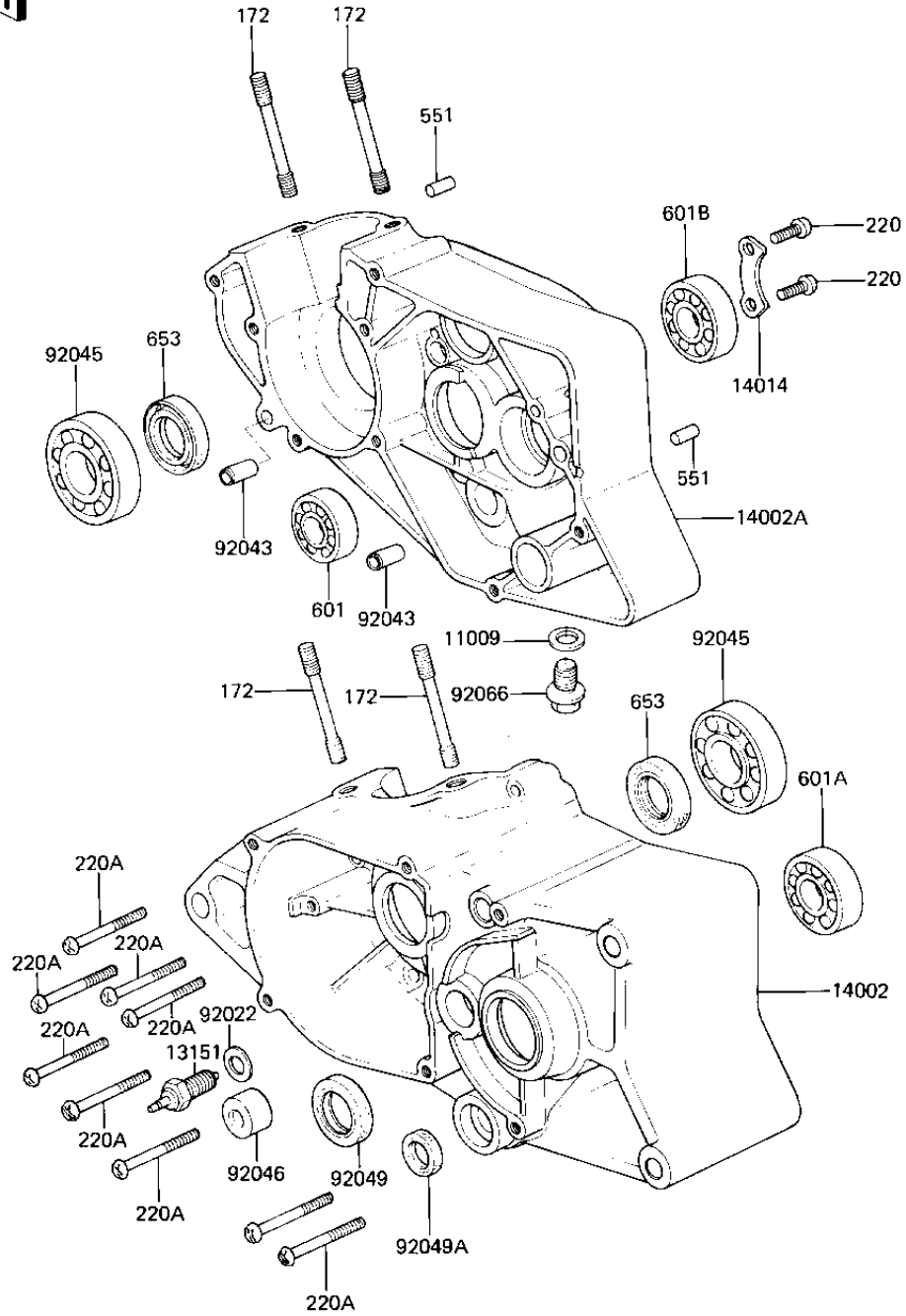


1982 AR80-A1 PARTS DIAGRAM

CRANKCASE



E1411-0064



1982 AR80-A1 PARTS LIST

CRANKCASE

| ITEM NAME | PART NUMBER | QUANTITY |
|-------------------------------------|-------------|----------|
| GASKET CHECK VALVE (Ref # 11009) | 92065-058 | 1 |
| SWITCH-COMP,NEUTRAL (Ref # 13151) | 13151-1008 | 1 |
| CRANKCASE,LH (Ref # 14002) | 14002-1199 | 1 |
| CRANKCASE,RH (Ref # 14002A) | 14002-1200 | 1 |
| PLATE-POSITION (Ref # 14014) | 14014-1014 | 1 |
| GASKET CHECK VALVE (Ref # 92022) | 92065-058 | 1 |
| PIN-DOWEL (Ref # 92043) | 92042-007 | 2 |
| BEARING-BALL,R-6304C3 (Ref # 92045) | 92045-1059 | 2 |
| BEARING-NEEDLE,BK1312 (Ref # 92046) | 92046-1034 | 1 |
| OIL SEAL,SC22325 (Ref # 92049) | 92049-1048 | 1 |
| OIL SEAL,TB13225.5 (Ref # 92049A) | 92051-005 | 1 |
| PLUG (Ref # 92066) | 92066-1241 | 1 |
| BOLT-STUD (Ref # 172) | 172G0890 | 4 |
| SCREW PAN HEAD 6X14 (Ref # 220) | 220B0614 | 2 |
| SCREW PAN HEAD 6X40 (Ref # 220A) | 220B0640 | 9 |
| PIN,DOWEL,6X12 (Ref # 551) | 551A0612 | 2 |
| BEARING BALL #6201 (Ref # 601) | 601B6201 | 1 |
| BEARING BALL #6203 (Ref # 601A) | 601B6203 | 1 |
| BALL BEARING,#6203ZC3 (Ref # 601B) | 601B6203Z | 1 |
| OIL SEAL TB20358 (Ref # 653) | 653B203508 | 2 |