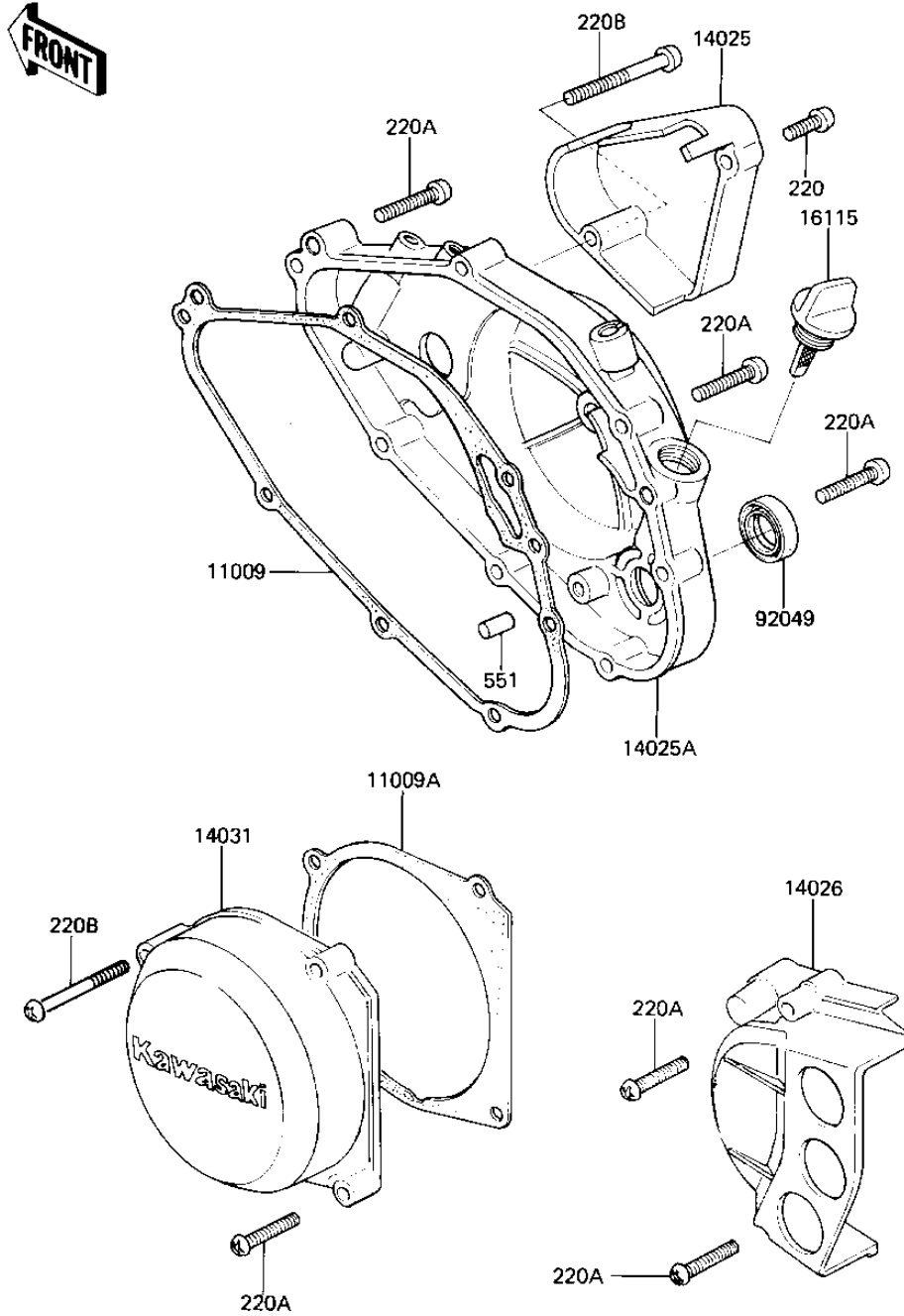


1982 AR80-A1 PARTS DIAGRAM

ENGINE COVERS

E1431-0014



1982 AR80-A1 PARTS LIST

ENGINE COVERS

ITEM NAME	PART NUMBER	QUANTITY
GASKET,CLUTCH COVER (Ref # 11009)	11060-1173	1
GASKET,GENERATOR COVE (Ref # 11009A)	11009-1214	1
COVER,OIL PUMP (Ref # 14025)	14025-1382	1
COVER,CLUTCH (Ref # 14025A)	14025-5039	1
COVER-CHAIN (Ref # 14026)	14026-1037	1
COVER-GENERATOR (Ref # 14031)	14031-1058	1
CAP-OIL FILLER (Ref # 16115)	16115-1006	1
OIL SEAL TB16267 (Ref # 92049)	92051-003	1
SCREW PAN HEAD 6X14 (Ref # 220)	220B0614	1
SCREW PAN HEAD 6X30 (Ref # 220A)	220B0630	12
SCREW PAN HEAD 6X40 (Ref # 220B)	220B0640	2
PIN-DOWEL (Ref # 551)	551A0628	1