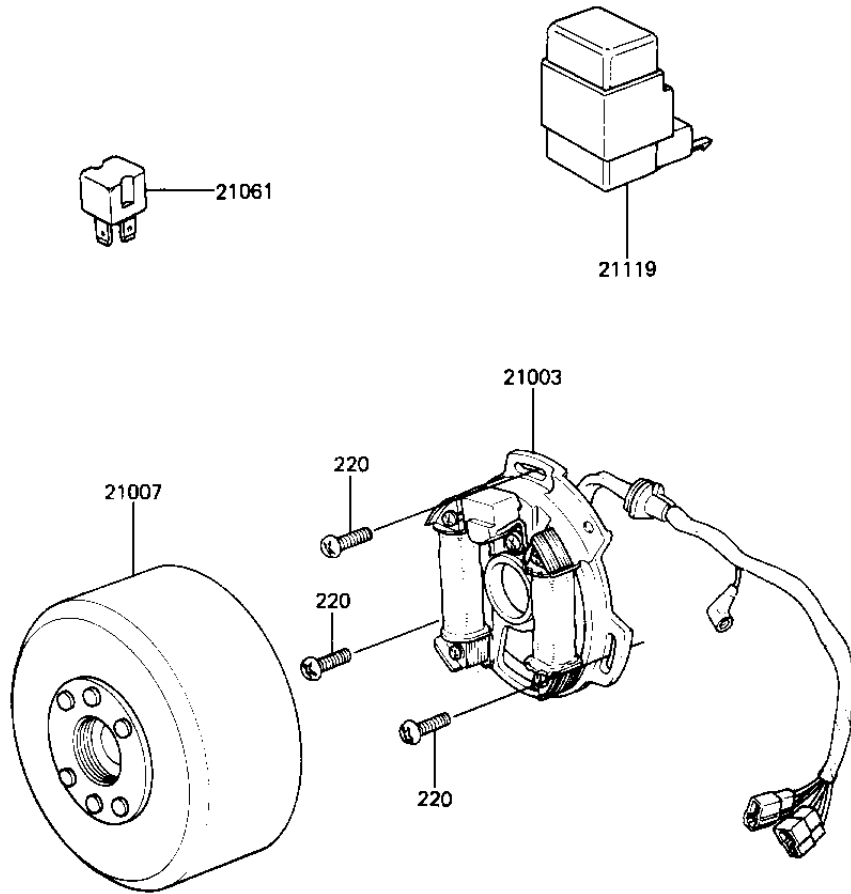


# 1982 AR80-A1 PARTS DIAGRAM

IGNITION/GENERATOR/RECTIFIER

E1810-0026



# 1982 AR80-A1 PARTS LIST

## IGNITION/GENERATOR/RECTIFIER

ITEM NAME	PART NUMBER	QUANTITY
STATOR (Ref # 21003)	21003-1147	1
ROTOR,MAGNETO (Ref # 21007)	21007-1054	1
RECTIFIER (Ref # 21061)	21061-1003	1
IGNITER (Ref # 21119)	21119-1021	1
SCREW-PAN-CROS (Ref # 220)	220B0514	3