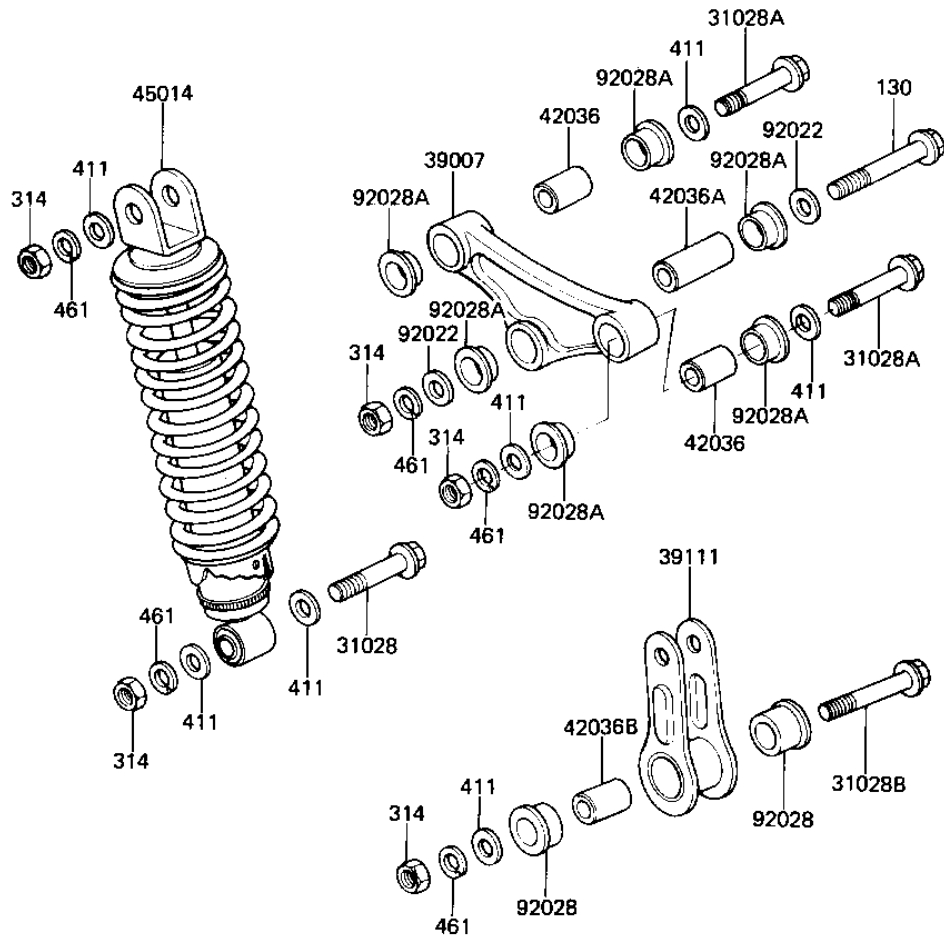


1982 AR80-A1 PARTS DIAGRAM

REAR SUSPENSION/SHOCK ABSORBER

F2150-0003



1982 AR80-A1 PARTS LIST

REAR SUSPENSION/SHOCK ABSORBER

ITEM NAME	PART NUMBER	QUANTITY
SHAFT-SHOCKABSORBER,1 (Ref # 31028)	31028-1002	1
SHAFT-SHOCKABSORBER,1 (Ref # 31028A)	31028-1003	2
SHAFT-SHOCKABSORBER,1 (Ref # 31028B)	31028-1004	1
ARM-SUSP,UNITRAK (Ref # 39007)	39007-1005	1
ROD-TIE,UNITRAK (Ref # 39111)	39111-1008	1
SLEEVE,10.1X17X26 (Ref # 42036)	42036-1041	2
SLEEVE,11X17X46 (Ref # 42036A)	42036-1044	1
SLEEVE,11X17X35 (Ref # 42036B)	42036-1047	1
SHOCK ABSBR RR (Ref # 45014)	45014-1085	1
WASHER-PLN,10X22X3.2 (Ref # 92022)	92022-176	2
BUSHING,RR SHOCKABSOR (Ref # 92028)	92028-1129	2
BUSHING,SUSPENSION (Ref # 92028A)	92028-1130	6
BOLT-FLANGED,10X65 (Ref # 130)	130G1065	1
NUT,10MM (Ref # 314)	314B1000	5
WASHER PLAIN 10MM (Ref # 411)	411B1000	7
WASHER SPRING 10MM (Ref # 461)	461F1000	5