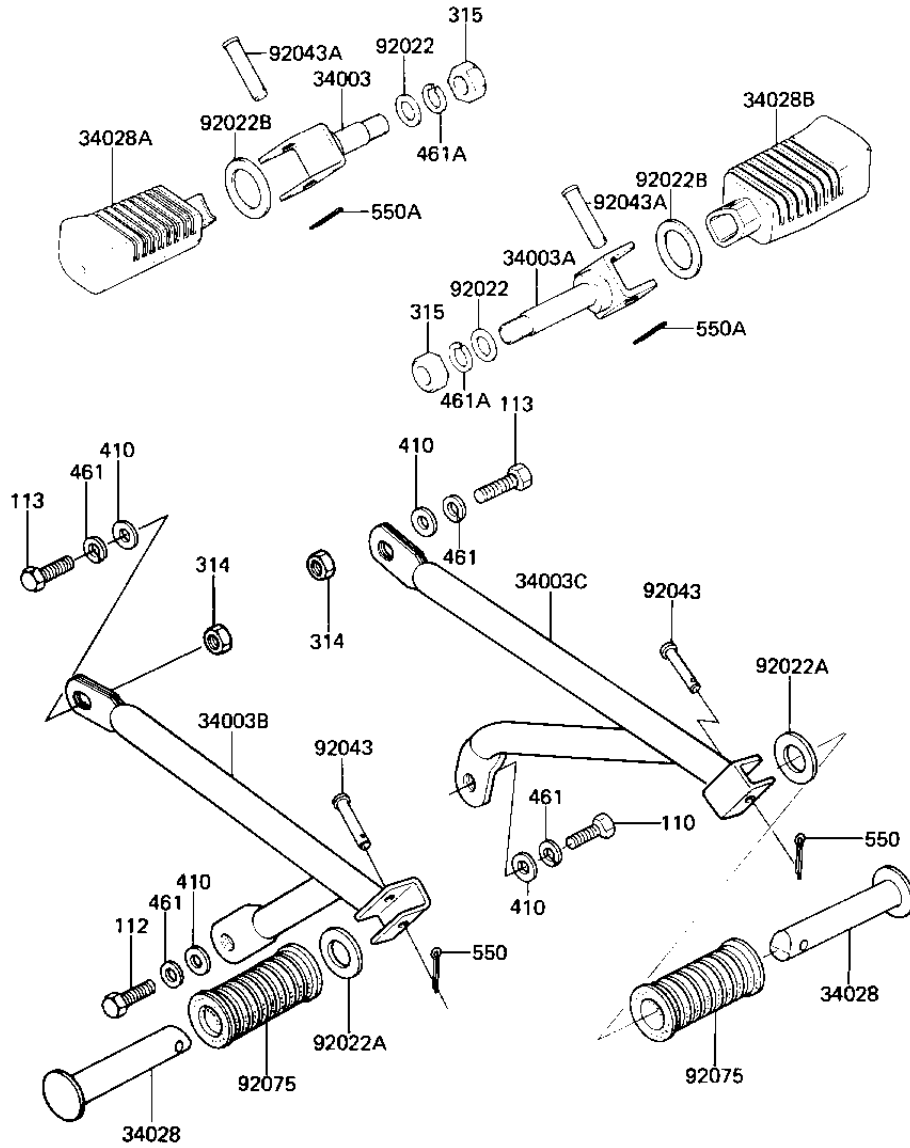


1982 AR80-A1 PARTS DIAGRAM

FOOTRESTS

F2160-0066



1982 AR80-A1 PARTS LIST

FOOTRESTS

ITEM NAME	PART NUMBER	QUANTITY
HOLDER-STEP,FR,LH (Ref # 34003)	34003-1138	1
HOLDER-STEP,FR,RH (Ref # 34003A)	34003-1139	1
HOLDER-STEP,RR,LH (Ref # 34003B)	34003-1140	1
HOLDER-STEP,RR,RH (Ref # 34003C)	34003-1141	1
BAR-RR FOOTREST (OPT) (Ref # 34028)	34028-009	2
STEP-ASSY,FR,LH (Ref # 34028A)	34027-1114	1
STEP-ASSY,FR,RH (Ref # 34028B)	34027-1115	1
WASHER,12.5X28X3.0 (Ref # 92022)	92022-1228	2
WASHER-PLAIN (OPT) (Ref # 92022A)	92022-199	2
WASHER,PLAIN (Ref # 92022B)	92022-250	2
PIN (Ref # 92043)	92043-1464	2
PIN-FOOTREST BAR FIT (Ref # 92043A)	92043-080	2
RUBBER,REAR FOOTREST (Ref # 92075)	92076-024	2
BOLT HEX HEAD 10X25 (Ref # 110)	110B1025	1
BOLT-UPSET,10X22 (Ref # 112)	112B1022	1
BOLT,HEX HEAD,10X25 (Ref # 113)	113G1025	2
NUT,10MM (Ref # 314)	314B1000	2
NUT-HEX-FINE,12MM (Ref # 315)	315B1200	2
WASHER PLAIN 10MM (Ref # 410)	410B1000	4
WASHER SPRING 10MM (Ref # 461)	461F1000	4
WASHER SPRING 12MM (Ref # 461A)	461F1200	2
PIN COTTER 2.0X15 (Ref # 550)	550D2015	2
PIN,COTTER,2.5X15 (Ref # 550A)	550D2515	2