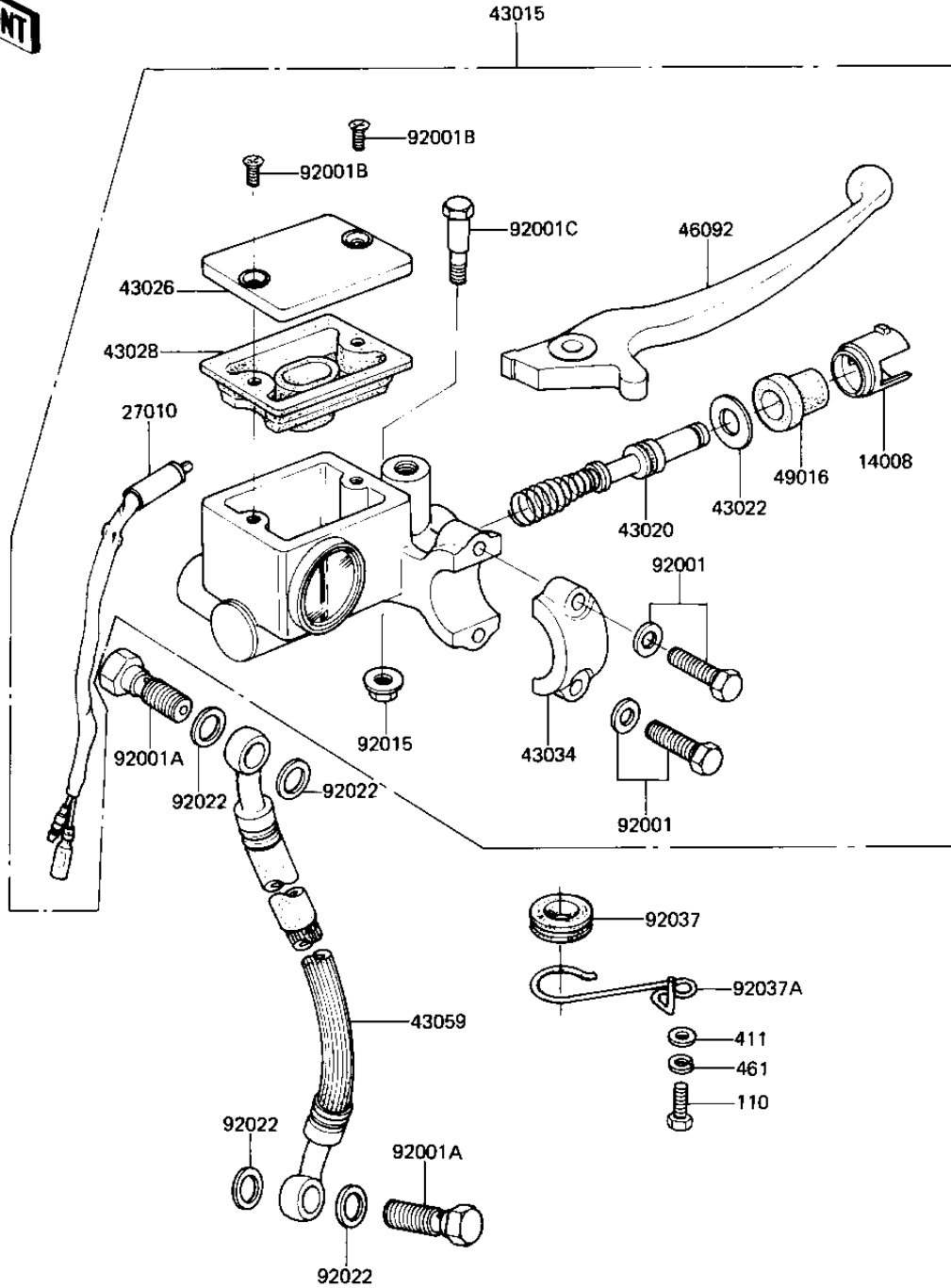


# 1982 AR80-A1 PARTS DIAGRAM

## FRONT MASTER CYLINDER



F2291-0023



# 1982 AR80-A1 PARTS LIST

## FRONT MASTER CYLINDER

ITEM NAME	PART NUMBER	QUANTITY
LINER (Ref # 14008)	14008-1030	1
SWITCH,BRAKE LAMP (Ref # 27010)	27010-1095	1
CYLINDER-ASSY-MASTER (Ref # 43015)	43015-1154	1
PISTON-COMP-BRAKE (Ref # 43020)	43020-1021	1
STOPPER-BRAKE (Ref # 43022)	43022-1008	1
CAP-BRAKE (Ref # 43026)	43026-1020	1
DIAPHRAGM (Ref # 43028)	43028-1022	1
HOLDER-BRAKE (Ref # 43034)	43034-1012	1
HOSE-BRAKE,FR (Ref # 43059)	43059-1607	1
LEVER-GRIP,FRONT BRAK (Ref # 46092)	46092-1016	1
COVER-SEAL (Ref # 49016)	49016-1035	1
BOLT,HEX HEAD,6X25 (Ref # 92001)	43033-003	2
BOLT,OIL,L=23 (Ref # 92001A)	92002-1888	2
SCREW,COUNTERSUNK HED (Ref # 92001B)	92001-1055	2
BOLT,CLUTCH LEV FITT (Ref # 92001C)	92001-1056	1
NUT (Ref # 92015)	92015-1141	1
WASHER-OIL BOLT (Ref # 92022)	43067-001	4
DAMPER RUBBER,CYL HSE (Ref # 92037)	43064-006	1
CLAMP,HOSE (Ref # 92037A)	92037-1262	1
BOLT-UPSET,6X16 (Ref # 110)	112C0616	1
WASHER PLAIN (Ref # 411)	411F0600	1
WASHER-SPRING,6MM,BLA (Ref # 461)	461K0600	1