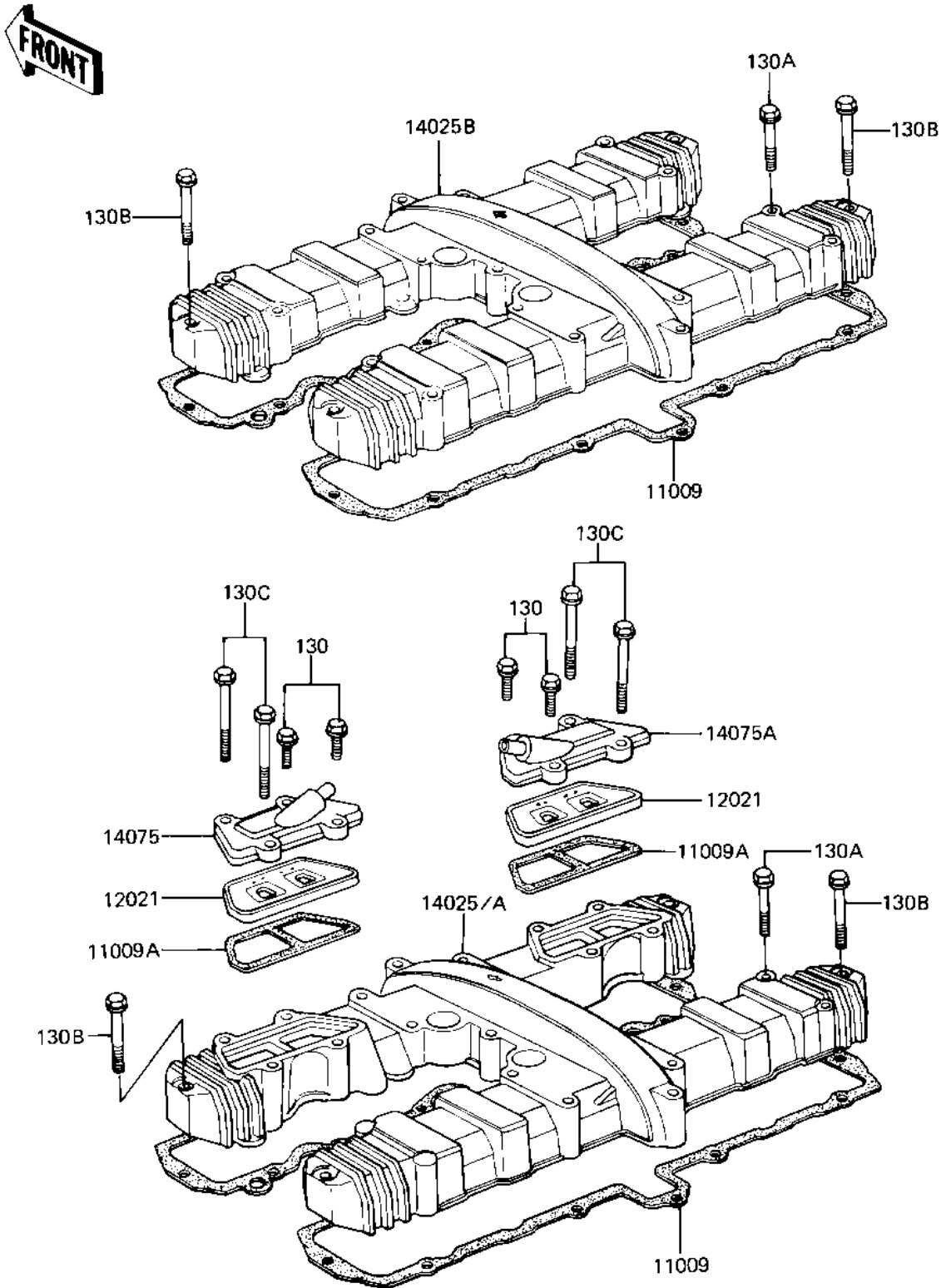


# 1983 Eddie Lawson Replica PARTS DIAGRAM

CYLINDER HEAD COVER

E1112-0062



# 1983 Eddie Lawson Replica PARTS LIST

## CYLINDER HEAD COVER

ITEM NAME	PART NUMBER	QUANTITY
GASKET,CYLINDER HEAD (Ref # 11009)	11009-1205	1
GASKET,REED VALVE (Ref # 11009A)	11060-1066	2
VALVE-ASSY-REED (Ref # 12021)	12021-1008	2
COVER,CYLINDER HEAD,B (Ref # 14025A)	14025-1636	1
COVER,CYLINDER HEAD,BLACK (Can (Ref # 14025B)	14025-1637	1
CAP-ASSY,REED VALVE,L (Ref # 14075)	14075-5022	1
CAP-ASSY,REED VALVE,R (Ref # 14075A)	14075-5023	1
BOLT-FLANGED,6X22,BLA (Ref # 130)	130J0622	4
BOLT,6X45 (Ref # 130A)	92002-1069	16
BOLT,6X45 (Ref # 130A)	92002-1069	20
BOLT-FLANGED,6X52,BLA (Ref # 130B)	130J0652	4
BOLT-FLANGED,6X70,BLA (Ref # 130C)	130J0670	4