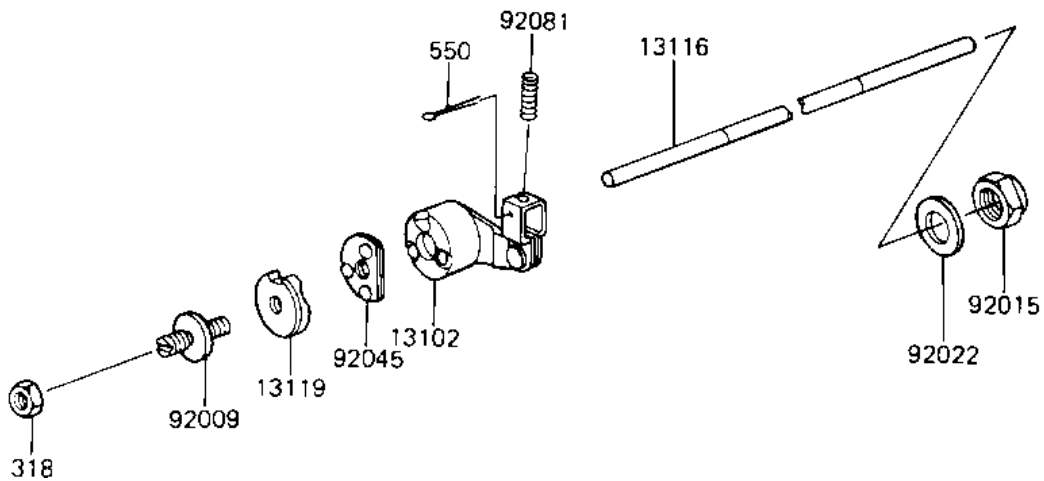
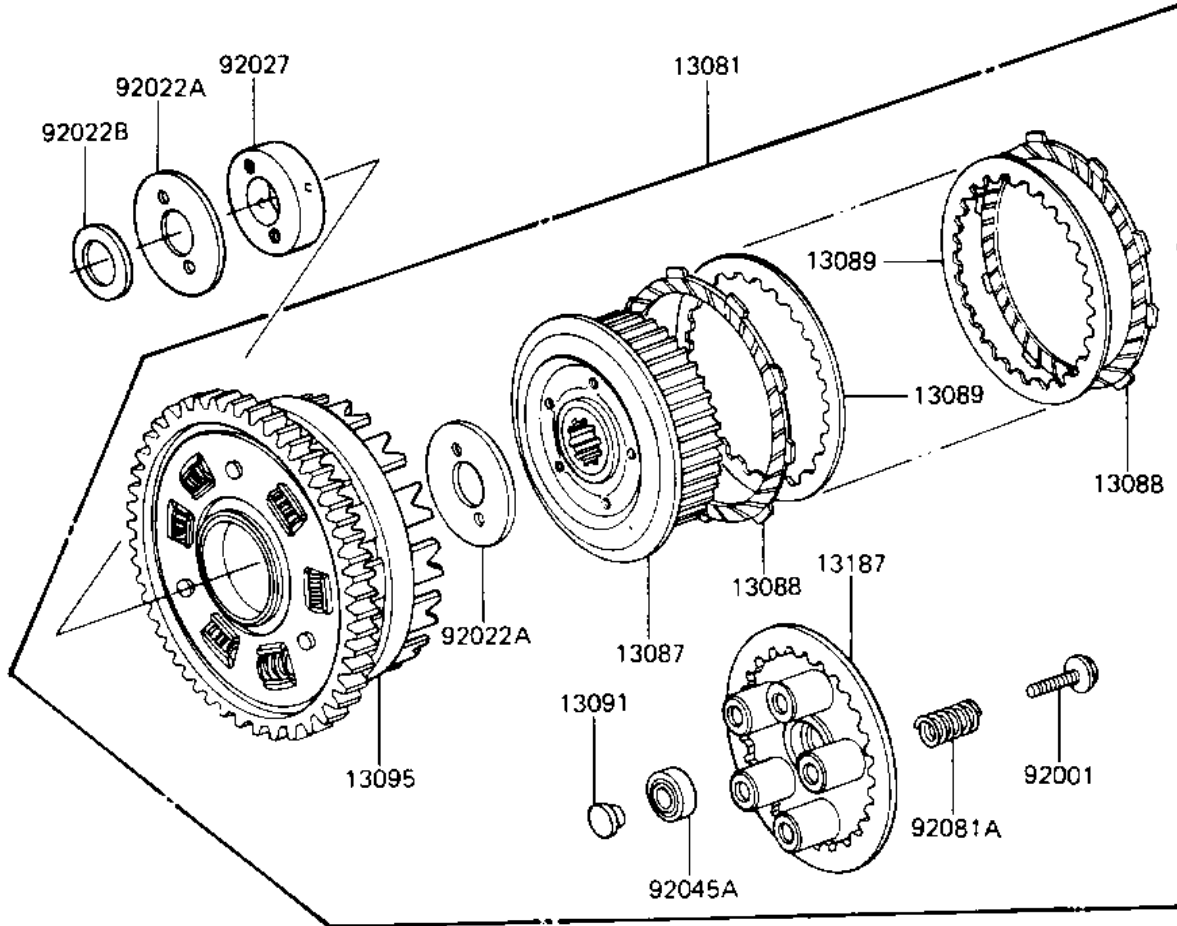


# 1983 Eddie Lawson Replica PARTS DIAGRAM

CLUTCH

E1350-0047



# 1983 Eddie Lawson Replica PARTS LIST

## CLUTCH

| ITEM NAME                           | PART NUMBER | QUANTITY |
|-------------------------------------|-------------|----------|
| CLUTCH-ASSY (Ref # 13081)           | 13081-1057  | 1        |
| HUB-CLUTCH (Ref # 13087)            | 13087-1015  | 1        |
| PLATE-FRICTION (Ref # 13088)        | 13088-1013  | 9        |
| PLATE,CLUTCH,STEEL (Ref # 13089)    | 13089-1004  | 8        |
| HOLDER (Ref # 13091)                | 13091-1085  | 1        |
| HOUSING-COMP-CLUTCH (Ref # 13095)   | 13095-1037  | 1        |
| RELEASE-COMP-CLUTCH (Ref # 13102)   | 13102-1012  | 1        |
| CAM,RELEASE,CLUTCH (Ref # 13116)    | 13119-1003  | 1        |
| CAM,RELEASE,CLUTCH (Ref # 13119)    | 13119-1003  | 1        |
| PLATE-CLUTCH OPERATIN (Ref # 13187) | 13187-1006  | 1        |
| BOLT,CLUTCH SPR FITT (Ref # 92001)  | 92001-1066  | 5        |
| SCREW,SLOTTED,8M/M (Ref # 92009)    | 92009-1009  | 1        |
| NUT,20MM (Ref # 92015)              | 92015-1555  | 1        |
| WASHER,PLAIN,2.3X20.3 (Ref # 92022) | 92022-1116  | 1        |
| WASHER,CLUTCH THRUST (Ref # 92022A) | 92022-1221  | 2        |
| WASHER (Ref # 92022B)               | 92022-1223  | 1        |
| COLLAR (Ref # 92027)                | 92027-1284  | 1        |
| BEARING,BALL,CLUTCH (Ref # 92045)   | 92045-1001  | 1        |
| BEARING-BALL (Ref # 92045A)         | 92045-1235  | 1        |
| SPRING-CLUTCH RELEASE (Ref # 92081) | 92081-069   | 1        |
| SPRING,CLUTCH (Ref # 92081A)        | 92081-1033  | 5        |
| NUT 8MM (Ref # 318)                 | 318B0800    | 1        |
| PIN COTTER 1.6X15 (Ref # 550)       | 550D1615    | 1        |