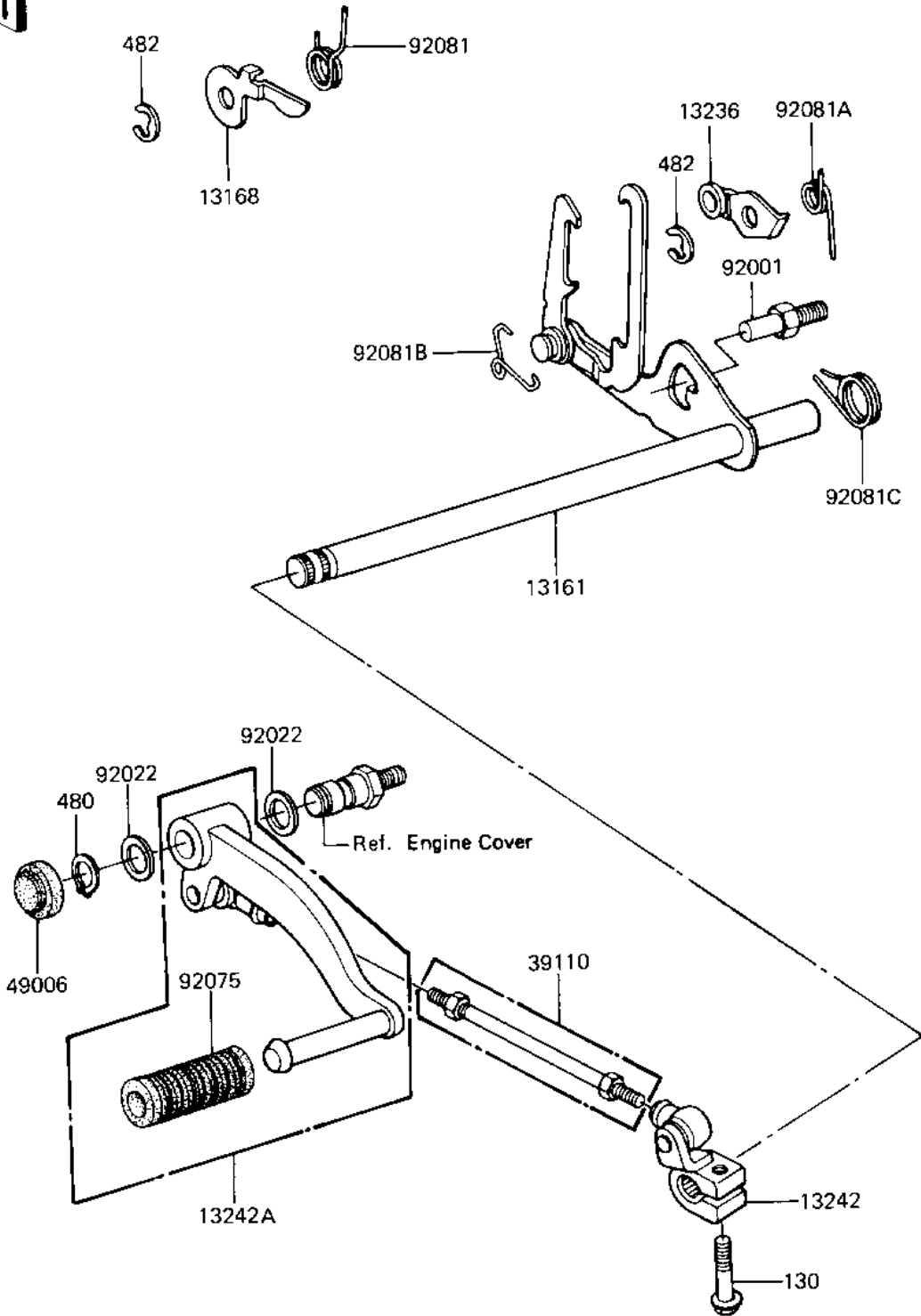


1982 Eddie Lawson Replica PARTS DIAGRAM

GEAR CHANGE MECHANISM

E1370-0112



1982 Eddie Lawson Replica PARTS LIST

GEAR CHANGE MECHANISM

| ITEM NAME | PART NUMBER | QUANTITY |
|--------------------------------------|-------------|----------|
| LEVER-COMP-CHANGE SHA (Ref # 13161) | 13161-1023 | 1 |
| LEVER,GEAR POSITIONIN (Ref # 13168) | 13168-1074 | 1 |
| LEVER-COMP,NEUTRAL PO (Ref # 13236) | 13236-1029 | 1 |
| LEVER-ASSY-CHANGE,ROD (Ref # 13242) | 13242-1048 | 1 |
| LEVER-ASSY-CHANGE,PDL (Ref # 13242A) | 13242-1049 | 1 |
| ROD-ASSY-TIE,L=90,BLA (Ref # 39110) | 39110-1008 | 1 |
| BOOT,CHANGE LEVER (Ref # 49006) | 49006-1061 | 1 |
| BOLT,RETURN SPRING (Ref # 92001) | 92001-1401 | 1 |
| WASHER PLAIN 12MM (Ref # 92022) | 92022-072 | 2 |
| RUBBER CHANGE PEDAL (Ref # 92075) | 13157-004 | 1 |
| SPRING,POSITIONING LE (Ref # 92081) | 92081-1284 | 1 |
| SPRING (Ref # 92081A) | 92081-1285 | 1 |
| SPRING,KICK PAWL (Ref # 92081B) | 92083-018 | 1 |
| SPRING,CHG PEDL RTRN (Ref # 92081C) | 92083-028 | 1 |
| BOLT-FLANGED,6X20,BLA (Ref # 130) | 130S0620 | 1 |
| CIRCLIP 12MM (Ref # 480) | 480J1200 | 1 |
| CIRCLIP 6MM (Ref # 482) | 482J6000 | 2 |