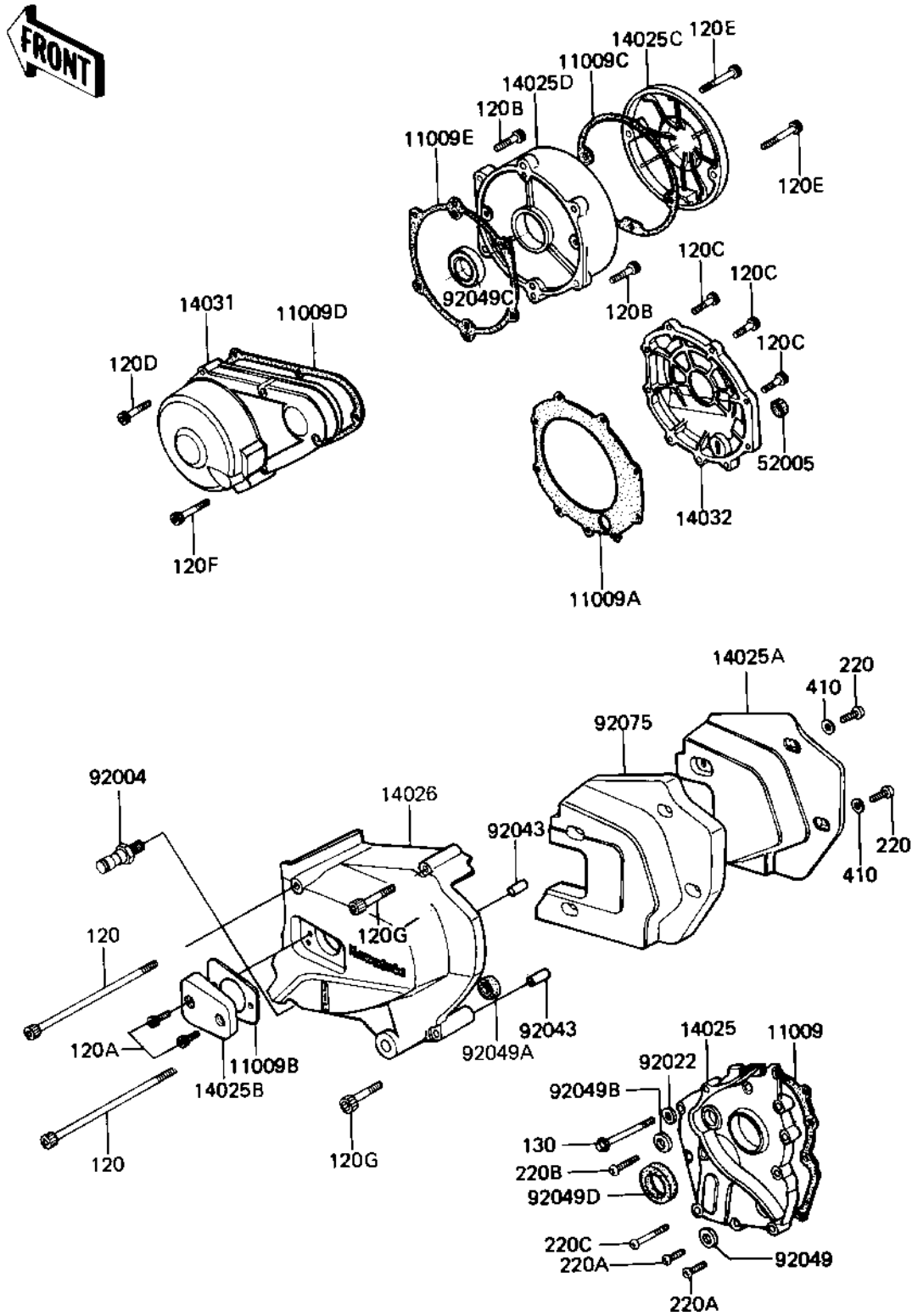


1983 Eddie Lawson Replica PARTS DIAGRAM

ENGINE COVERS

E1431-0124



1983 Eddie Lawson Replica PARTS LIST

ENGINE COVERS

ITEM NAME	PART NUMBER	QUANTITY
GASKET,TRANSMISSION C (Ref # 11009)	11060-1069	1
GASKET,CLUTCH COVER (Ref # 11009A)	11060-1070	1
GASKET,CLUTCH ADJUSTI (Ref # 11009B)	11060-1073	1
GASKET,PULSING COIL C (Ref # 11009C)	11060-1072	1
GASKET,GENERATOR COVE (Ref # 11009D)	11060-1075	1
GASKET,RH ENGINE COVE (Ref # 11009E)	11060-1071	1
COVER,TRANSMISSION (Ref # 14025)	14025-1240	1
COVER,CLUTCH RELEASES (Ref # 14025B)	14025-1409	1
COVER (Ref # 14025C)	14025-1610	1
COVER,ENGINE,RH,BLACK (Ref # 14025D)	14025-1426	1
COVER-CHAIN,BLACK (Ref # 14026)	14026-1066	1
COVER-GENERATOR,BLACK (Ref # 14031)	14031-1082	1
COVER-CLUTCH,BLACK (Ref # 14032)	14032-1075	1
GAUGE,OIL LEVEL (Ref # 52005)	52005-1009	1
STUD,CHANGE PEDAL PIV (Ref # 92004)	92004-1034	1
WASHER OIL PUMP BANJO (Ref # 92022)	92022-077	1
PIN-DOWEL (Ref # 92043)	92042-007	2
OIL SEAL SB12205 (Ref # 92049)	92049-004	1
OIL SEAL,CLUTCH RELES (Ref # 92049A)	92049-1003	1
OIL SEAL,SC32487 (Ref # 92049B)	92049-1033	1
OIL SEAL,SC32487 (Ref # 92049C)	92049-1033	1
SEAL-OIL (Ref # 92049D)	92049-1070	1
DAMPER,SOUND (Ref # 92075)	92075-1269	1
BOLT-SOCKET,6X125,BLA (Ref # 120)	120S06125	2
BOLT-SOCKET,6X14,BLAC (Ref # 120A)	120S0614	2
BOLT,SOCKET,6X22 (Ref # 120B)	92002-1326	6
BOLT,SOCKET,6X25,BLAC (Ref # 120C)	120S0625	9
BOLT,SOCKET,6X30,BLAC (Ref # 120D)	120S0630	6
BOLT-SOCKET,6X35,BLAC (Ref # 120E)	120S0635	2

1983 Eddie Lawson Replica PARTS LIST

ENGINE COVERS

ITEM NAME	PART NUMBER	QUANTITY
BOLT-SOCKET,6X40 (Ref # 120F)	120S0640	2
BOLT-SOCKET,6X70,BLAC (Ref # 120G)	120S0670	2
BOLT,FLANGED,6X55 (Ref # 130)	130G0655	1
SCREW PAN HEAD 6X12 (Ref # 220)	220B0612	4
SCREW PAN HEAD 6X20 (Ref # 220A)	220B0620	6
SCREW PAN HEAD 6X28 (Ref # 220B)	220B0628	1
SCREW PAN HEAD 6X40 (Ref # 220C)	220B0640	2
WASHER PLAIN 6MM (Ref # 410)	410B0600	4