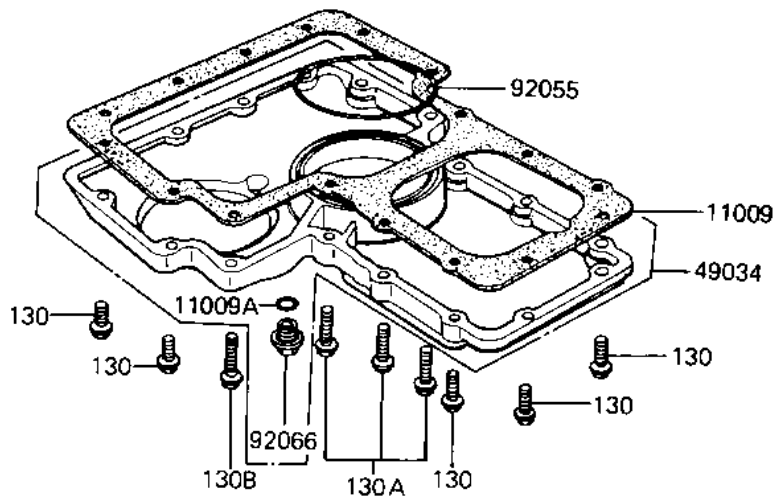
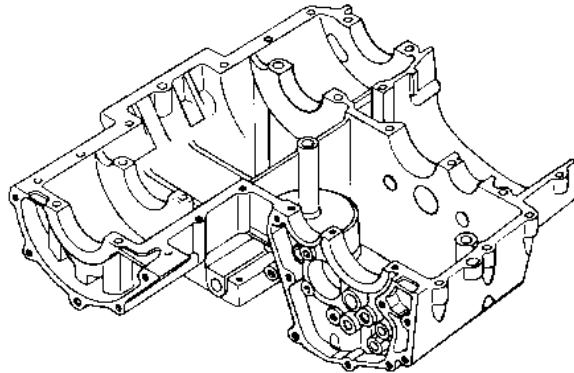
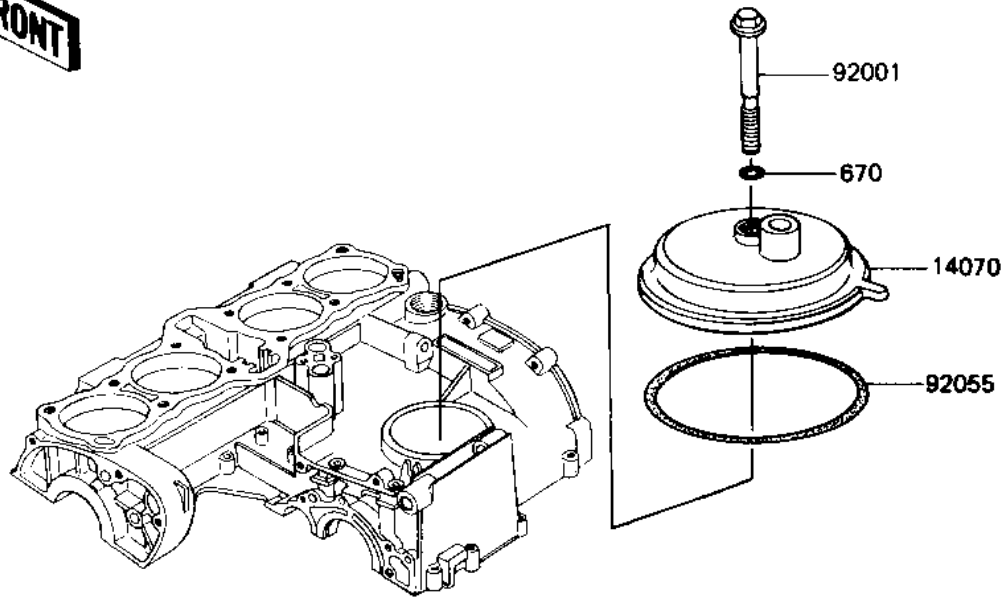


1983 Eddie Lawson Replica PARTS DIAGRAM

BREATHER COVER/OIL PAN

E1432-0010



1983 Eddie Lawson Replica PARTS LIST

BREATHER COVER/OIL PAN

ITEM NAME	PART NUMBER	QUANTITY
GASKET,OIL PAN (Ref # 11009)	11060-1074	1
GASKET,DRIN PLUG (Ref # 11009A)	92065-097	1
BODY-BREATHER,BLACK (Ref # 14070)	14070-1010	1
PAN-OIL (Ref # 49034)	49034-5014	1
BOLT,8X72,BLACK (Ref # 92001)	92001-1526	1
"O" RING,91MM (Ref # 92055)	92055-052	2
PLUG,OIL DRAIN,12X15 (Ref # 92066)	92066-1174	1
BOLT,FLANGED,6X25 (Ref # 130)	130G0625	13
BOLT,FLANGED,6X35 (Ref # 130A)	130H0635	3
BOLT,FLANGED,6X45 (Ref # 130B)	130G0645	1
"O" RING,8MM (Ref # 670)	670B1508	1