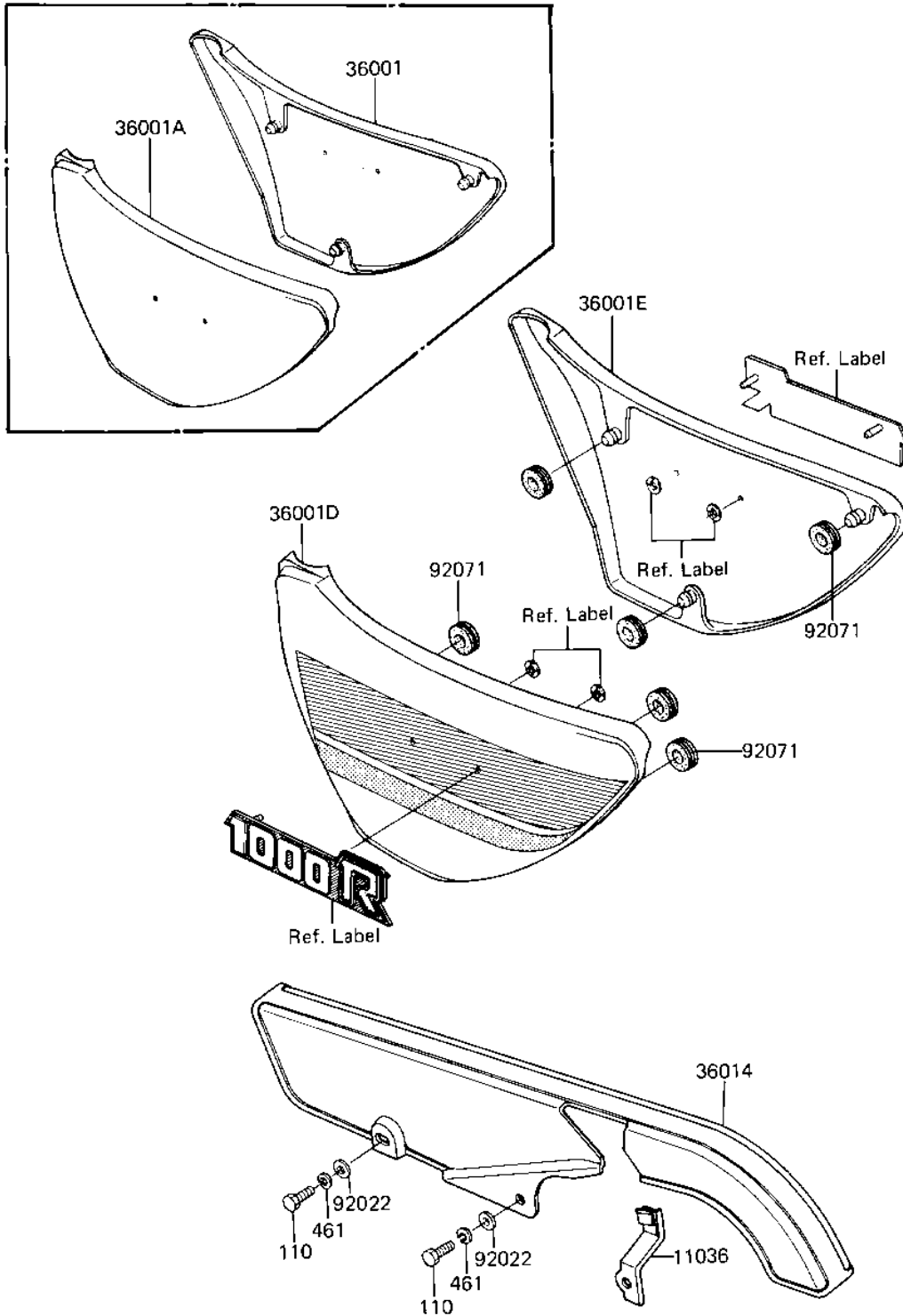


# 1983 Eddie Lawson Replica PARTS DIAGRAM

SIDE COVERS/CHAIN COVER



F2610-0209



# 1983 Eddie Lawson Replica PARTS LIST

## SIDE COVERS/CHAIN COVER

ITEM NAME	PART NUMBER	QUANTITY
BRACKET-A,CHAIN CASE (Ref # 11036)	11036-1615	1
COVER-SIDE,LH,L.GREEN (Ref # 36001D)	36001-5179-7F	1
COVER-SIDE,RH,L.GREEN (Ref # 36001E)	36001-5180-7F	1
CASE-CHAIN (Ref # 36014)	36014-1062	1
WASHER,6.5X20X1.6.BLA (Ref # 92022)	92022-1346	2
GROMMET (Ref # 92071)	92071-056	6
BOLT-UPSET,6X16 (Ref # 110)	112C0616	2
WASHER-SPRING,6MM,BLA (Ref # 461)	461K0600	2