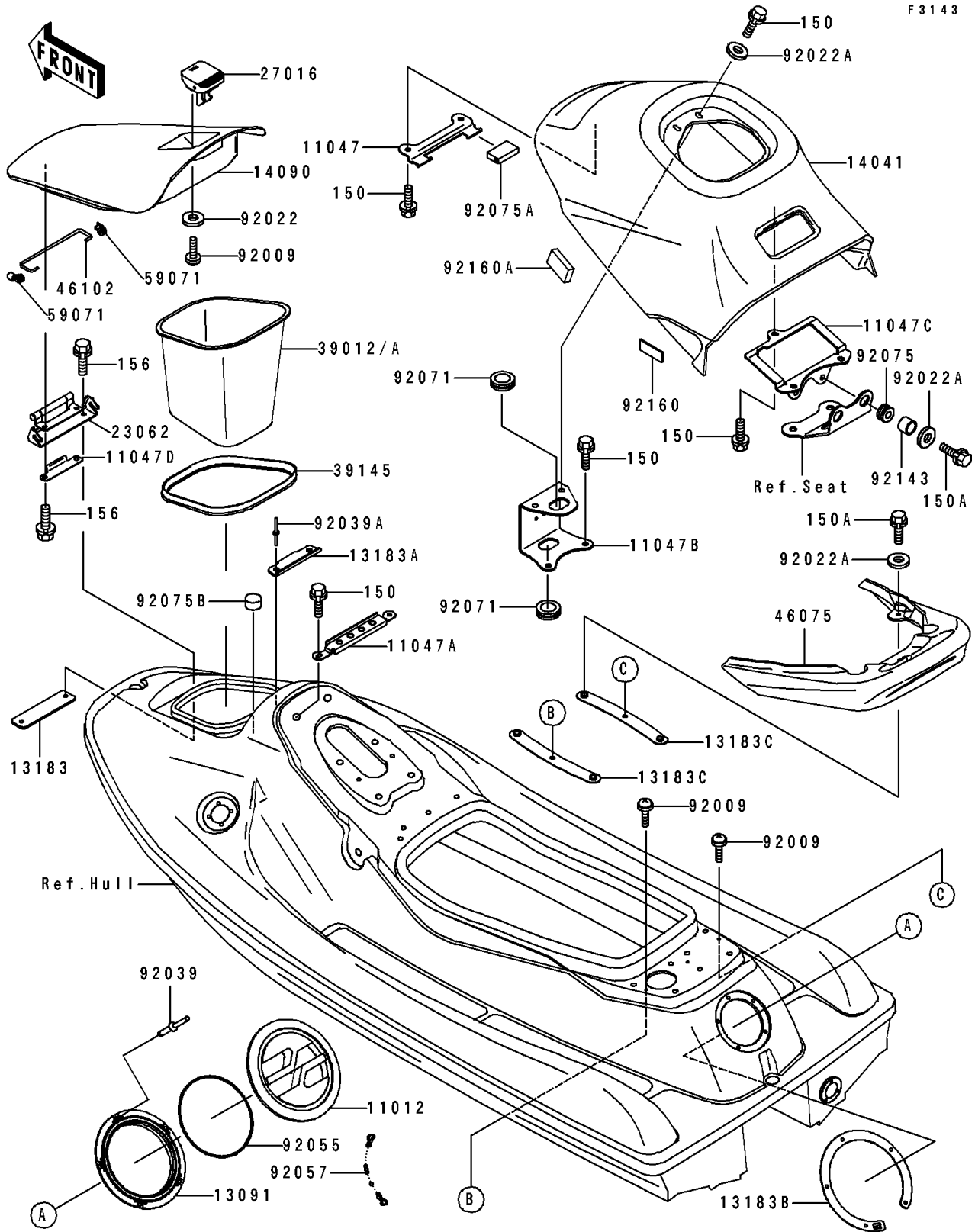


1995 750 SS PARTS DIAGRAM

Hull Fittings



1995 750 SS PARTS LIST

Hull Fittings

ITEM NAME	PART NUMBER	QUANTITY
CAP,STORAGE,J.WHITE (Ref # 11012)	11012-3758-8U	1
BRACKET,HANDLE POLE COVER,FR (Ref # 11047)	11047-3763	1
BRACKET,HANDLE POLE COVER,FR (Ref # 11047A)	11047-3764	1
BRACKET,HANDLE POLE COVER,CNT (Ref # 11047B)	11047-3765	1
BRACKET,HANDLE POLE COVER,RR (Ref # 11047C)	11047-3773	1
BRACKET,ROD HOLDER (Ref # 11047D)	11047-3779	1
HOLDER,STORAGE,J.WHITE (Ref # 13091)	13091-3766-8U	1
PLATE,HINGE BRACKET (Ref # 13183)	13183-3781	1
PLATE,HOOK (Ref # 13183A)	13183-3801	1
PLATE,STORAGE (Ref # 13183B)	13183-3804	1
PLATE,TAIL GRIP (Ref # 13183C)	13183-3805	2
COVER-COMP,HANDLE POLE,BLUE 41 (Ref # 14041)	14041-3702-TR	1
COVER,HATCH,BLUE 41 (Ref # 14090)	14090-3711-TR	1
BRACKET-COMP,HATCH COVER (Ref # 23062)	23062-3705	1
LOCK-ASSY,HATCH COVER (Ref # 27016)	27016-3721	1
CASE-STORAGE (Ref # 39012A)	39012-3712	1
TRIM-SEAL,STORAGE CASE (Ref # 39145)	39145-3734	1
GRIP,TAIL,BLUE 41 (Ref # 46075)	46075-3724-RN	1
ROD (Ref # 46102)	46102-3715	1
JOINT (Ref # 59071)	59071-1125	2
SCREW,5X16 (Ref # 92009)	92009-3789	4
WASHER,5X16X1.5 (Ref # 92022)	92022-3041	2
WASHER,6.5X20X1.5 (Ref # 92022A)	92022-3710	8
RIVET (Ref # 92039)	92039-3714	5
RIVET (Ref # 92039A)	92039-3753	2
RING-O,ID=131.6MM (Ref # 92055)	92055-3732	1
CHAIN,COVER,L=100 (Ref # 92057)	92057-3704	1
GROMMET (Ref # 92071)	92071-3704	2
DAMPER (Ref # 92075)	92075-105	2

1995 750 SS PARTS LIST

Hull Fittings

ITEM NAME	PART NUMBER	QUANTITY
DAMPER (Ref # 92075A)	92075-1446	2
DAMPER (Ref # 92075B)	92075-3760	2
COLLAR,7.5X10.5X7.2 (Ref # 92143)	92143-3730	2
DAMPER (Ref # 92160)	92160-3792	2
DAMPER (Ref # 92160A)	92160-3808	2
BOLT-WS,6X14 (Ref # 150)	150R0614	11
BOLT-WS,6X20 (Ref # 150A)	150R0620	6
BOLT-WP,6X18 (Ref # 156)	156R0618	4