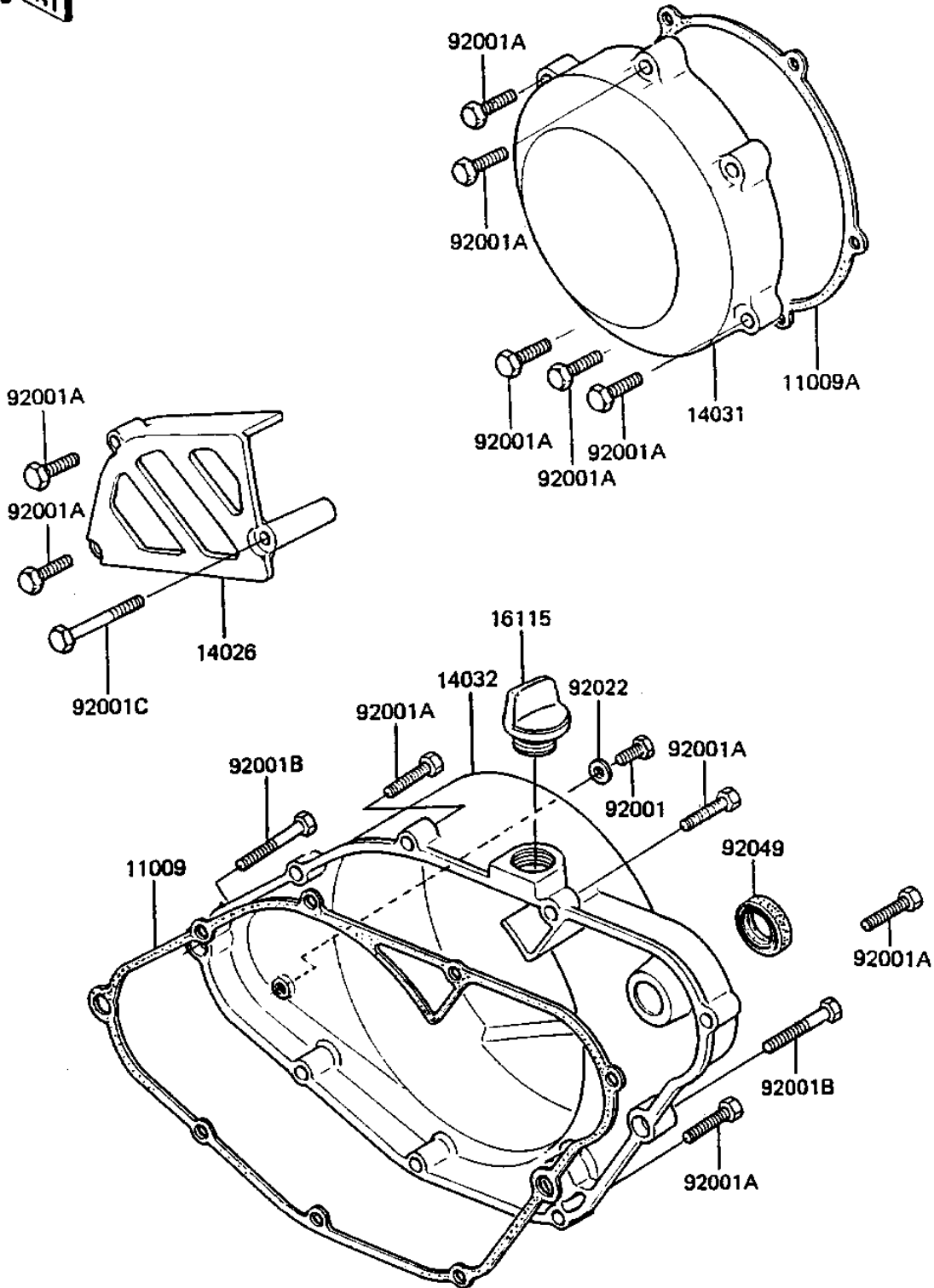


1984 KDX250 PARTS DIAGRAM

ENGINE COVERS

E1431-0068



1984 KDX250 PARTS LIST

ENGINE COVERS

| ITEM NAME | PART NUMBER | QUANTITY |
|-------------------------------------|-------------|----------|
| GASKET,R.H ENG COVER (Ref # 11009) | 11009-1171 | 1 |
| GASKET,L.H ENG,COVER (Ref # 11009A) | 11009-1172 | 1 |
| COVER,CHAIN,F.BLACK (Ref # 14026) | 14026-1027 | 1 |
| COVER-GENERATOR (Ref # 14031) | 14031-1088 | 1 |
| COVER-CLUTCH (Ref # 14032) | 14032-1107 | 1 |
| FILLER,OIL (Ref # 16115) | 16115-018 | 1 |
| BOLT,6X8 (Ref # 92001) | 92001-1626 | 1 |
| BOLT-FLANGED-SMALL (Ref # 92001A) | 132G0625 | 15 |
| BOLT,6X35 (Ref # 92001B) | 92001-1632 | 2 |
| BOLT,6X45 (Ref # 92001C) | 92001-1634 | 1 |
| WASHER OIL PUMP BANJO (Ref # 92022) | 92022-077 | 1 |
| OIL SEAL,SB18307 (Ref # 92049) | 92049-013 | 1 |