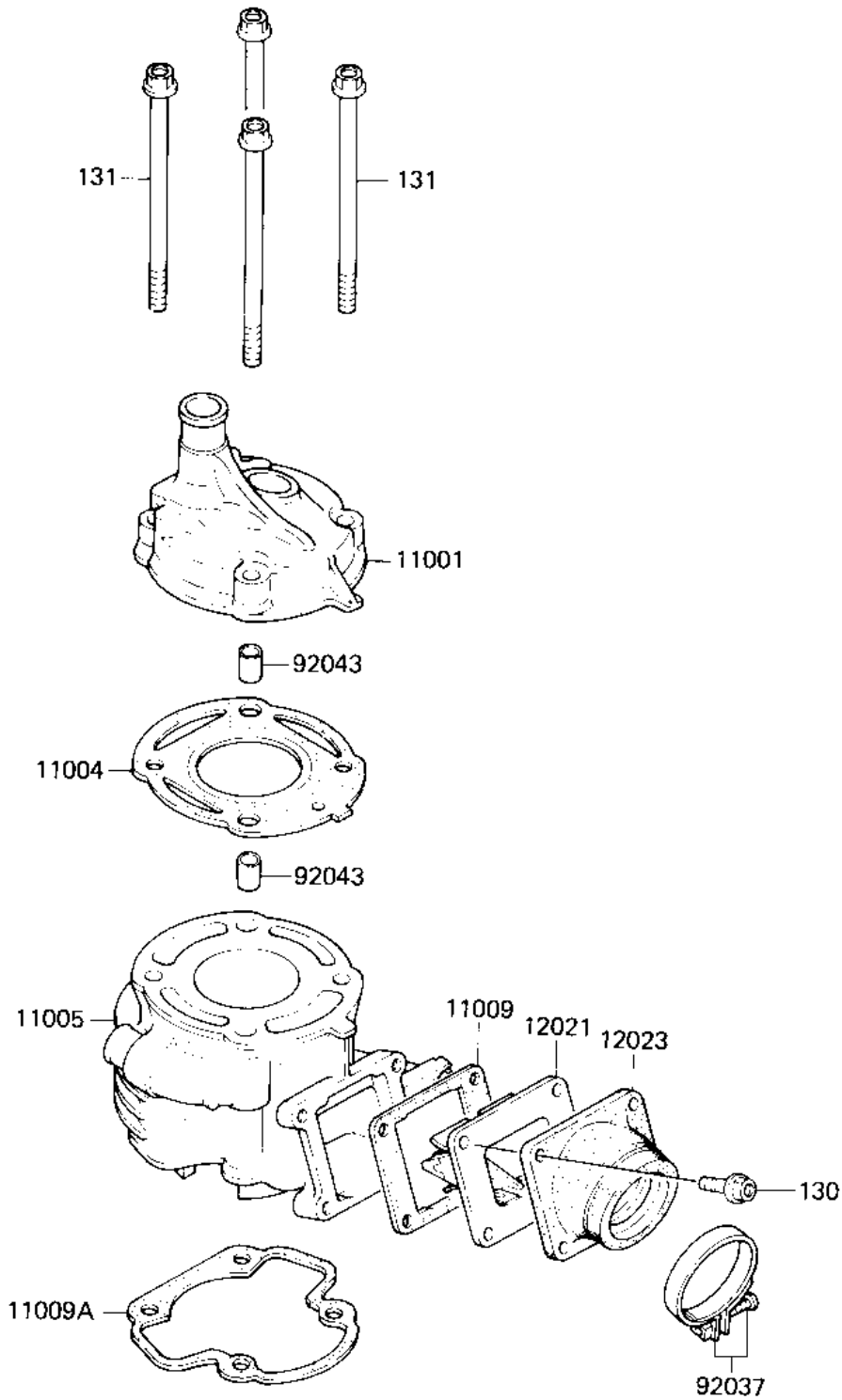


1983 KX80 PARTS DIAGRAM

CYLINDER HEAD/CYLINDER/REED VALVE

E1111-0109



1983 KX80 PARTS LIST

CYLINDER HEAD/CYLINDER/REED VALVE

ITEM NAME	PART NUMBER	QUANTITY
HEAD CYLINDER (Ref # 11001)	11001-1144	1
GASKET-HEAD,CYLINDER (Ref # 11004)	11004-1058	1
CYLINDER-ENGINE,ELECT (Ref # 11005)	11005-1214	1
GASKET,REED VALVE (Ref # 11009)	11009-1109	1
GASKET,CYLINDER BASE (Ref # 11009A)	11009-1975	1
VALVE-ASSY-REED (Ref # 12021)	12021-1020	1
HOLDER-VALVE-REED (Ref # 12023)	12023-1020	1
CLAMP (Ref # 92037)	92037-1172	1
PIN,DOWEL,10X8.2X14 (Ref # 92043)	92043-1037	2
BOLT,FLANGED,6X20 (Ref # 130)	130G0620	4
BOLT,8X120 (Ref # 131)	92002-1332	4