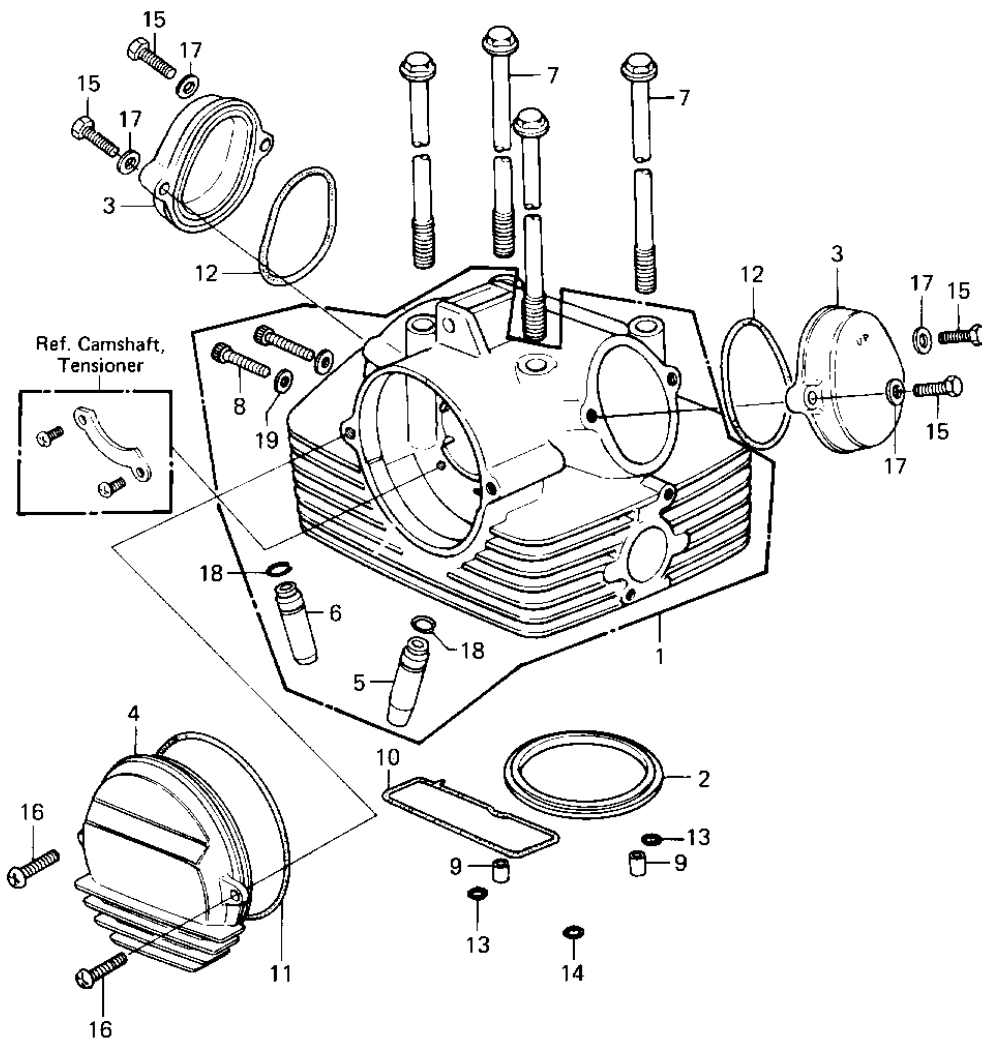


1983 KLT200 PARTS DIAGRAM

CYLINDER HEAD/COVERS

E1111-0120



1983 KLT200 PARTS LIST

CYLINDER HEAD/COVERS

ITEM NAME	PART NUMBER	QUANTITY
HEAD-ASSY-CYLINDER (Ref # 1)	11002-5029	1
GASKET,CYLINDER HEAD (Ref # 2)	11004-1004	1
CAP,ROCKER,F.BLACK (Ref # 3)	11012-1270	2
COVER,CAMSHAFT,F.BLAC (Ref # 4)	14025-1549	1
GUIDE,INLET VALVE (Ref # 5)	12013-009	1
GUIDE,EXHAUST VALVE (Ref # 6)	49002-1002	1
BOLT,8X233 (Ref # 7)	92003-220	4
BOLT,SOCKET,8X30 (Ref # 8)	120P0830	2
PIN,DOWEL,10X8.2X14 (Ref # 9)	92043-1037	2
"O" RING (Ref # 10)	92055-105	1
"O" RING,99M/M (Ref # 11)	92055-107	1
"O" RING,53.5MM (Ref # 12)	92055-112	2
RING-O,10MM (Ref # 13)	92055-1149	2
O RING,10MM (Ref # 14)	92055-1150	1
BOLT-UPSET (Ref # 15)	112G0625	4
SCREW PAN HEAD 6X16 (Ref # 16)	220B0616	2
WASHER PLAIN 6MM (Ref # 17)	411B0600	4
CIRCLIP-VALVE (Ref # 18)	92036-023	2
WASHER PLAIN 8MM (Ref # 19)	410B0800	2