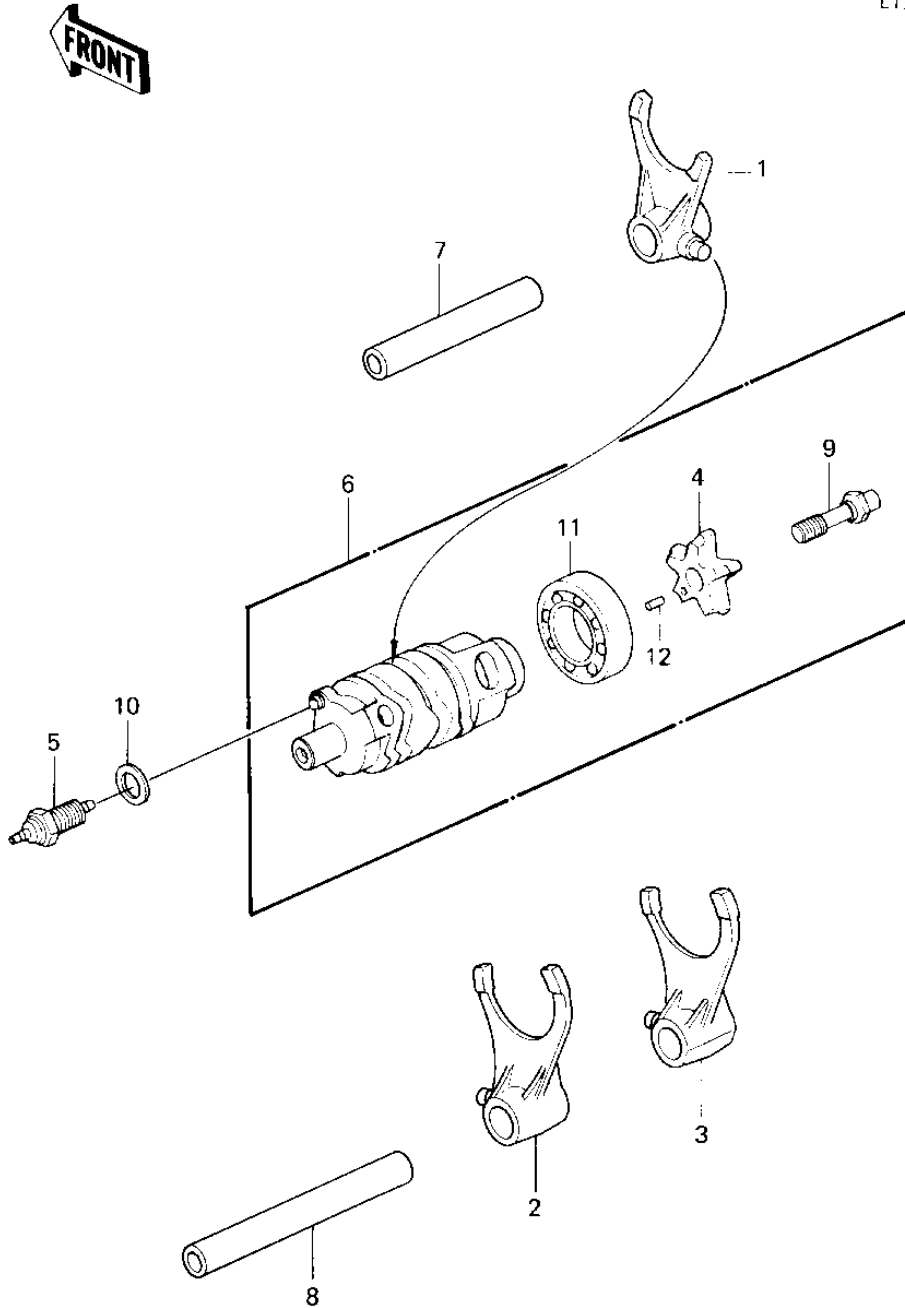


1983 KLT200 PARTS DIAGRAM

GEAR CHANGE DRUM & FORKS

L1362-0055



1983 KLT200 PARTS LIST

GEAR CHANGE DRUM & FORKS

ITEM NAME	PART NUMBER	QUANTITY
FORK-SHIFT,LOW (Ref # 1)	13140-1064	1
FORK-SHIFT,2ND&3RD (Ref # 2)	13140-1065	1
FORK-SHIFT,4TH&TOP (Ref # 3)	13140-1066	1
CAM-CHANGE DRUM (Ref # 4)	13145-1005	1
SWITCH,NEUTRAL (Ref # 5)	13151-1007	1
DRUM-ASSY-CHANGE (Ref # 6)	13239-1071	1
ROD,SHIFT 71.7M/M (Ref # 7)	49047-1002	1
ROD,SHIFT 93.7M/M (Ref # 8)	49047-1003	1
BOLT,CHANGE DRUM (Ref # 9)	92001-1714	1
GASKET CHECK VALVE (Ref # 10)	92065-058	1
BEARING,BALL,#6905 (Ref # 11)	92045-036	1
PIN-DOWEL,4X6 (Ref # 12)	610A0406	1