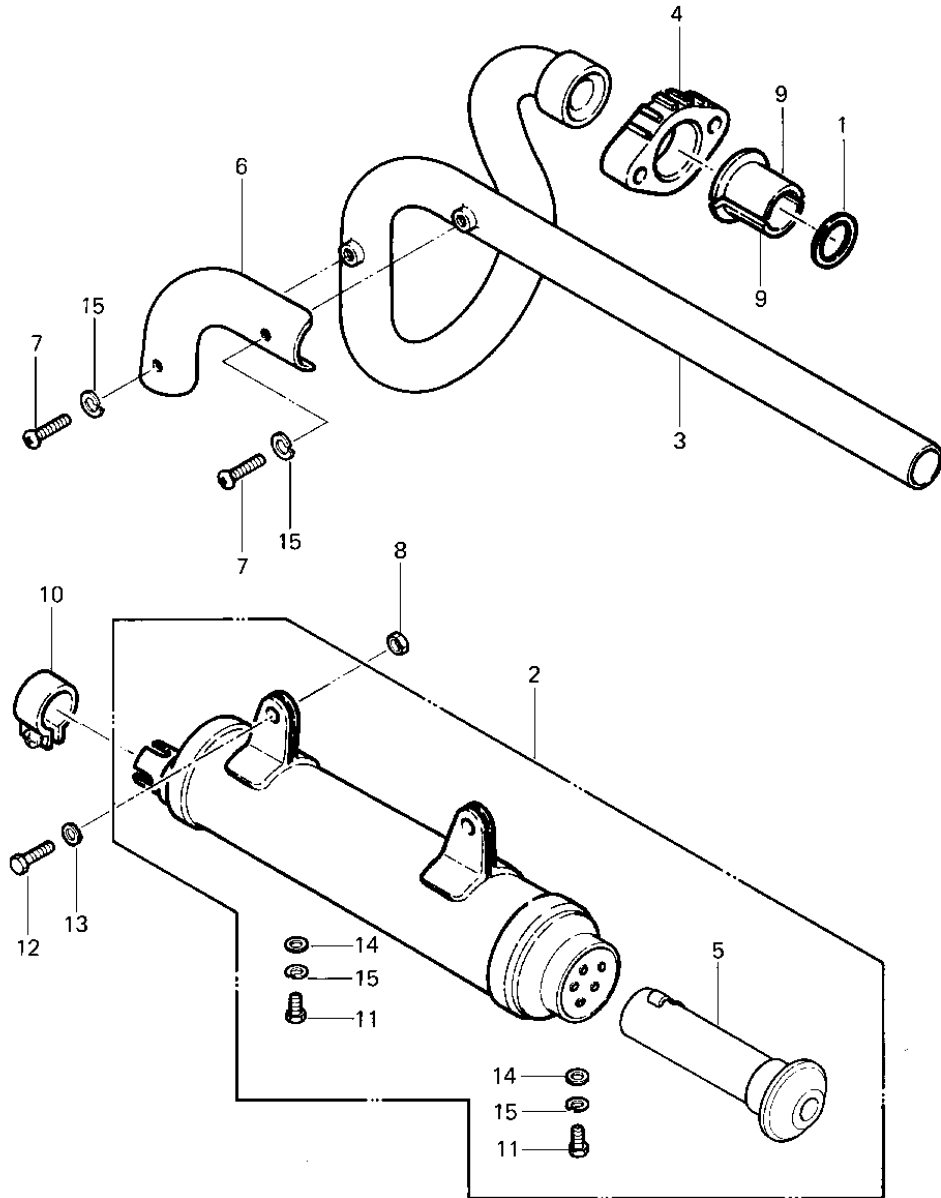


1983 KLT200 PARTS DIAGRAM

MUFFLER



1043

1983 KLT200 PARTS LIST

MUFFLER

ITEM NAME	PART NUMBER	QUANTITY
GASKET,EXHAUST PIPE H (Ref # 1)	11009-1866	1
MUFFLER (Ref # 2)	18001-1451	1
MUFFLER (Ref # 2)	18001-1451	1
PIPE EXHAUST (Ref # 3)	18049-1203	1
HOLDER EXHAUST PIPE (Ref # 4)	18069-1014	1
BAFFLE-PIPE MUFFLER (Ref # 5)	49099-1119	1
COVER-EXHAUST PIPE (Ref # 6)	49107-1006	1
SCREW (Ref # 7)	92009-1054	2
NUT,LOCK,8MM (Ref # 8)	92015-1124	1
INSERT,EXHAUST PIPE (Ref # 9)	92027-278	2
CLAMP,MUFFLER FITTING (Ref # 10)	92037-1035	1
BOLT-UPSET,6X12 (Ref # 11)	112G0612	2
BOLT,8X20 (Ref # 12)	115G0820	1
WASHER PLAIN 8MM (Ref # 13)	410B0800	1
WASHER PLAIN 6MM (Ref # 14)	411B0600	2
WASHER SPRING 6MM (Ref # 15)	461F0600	4