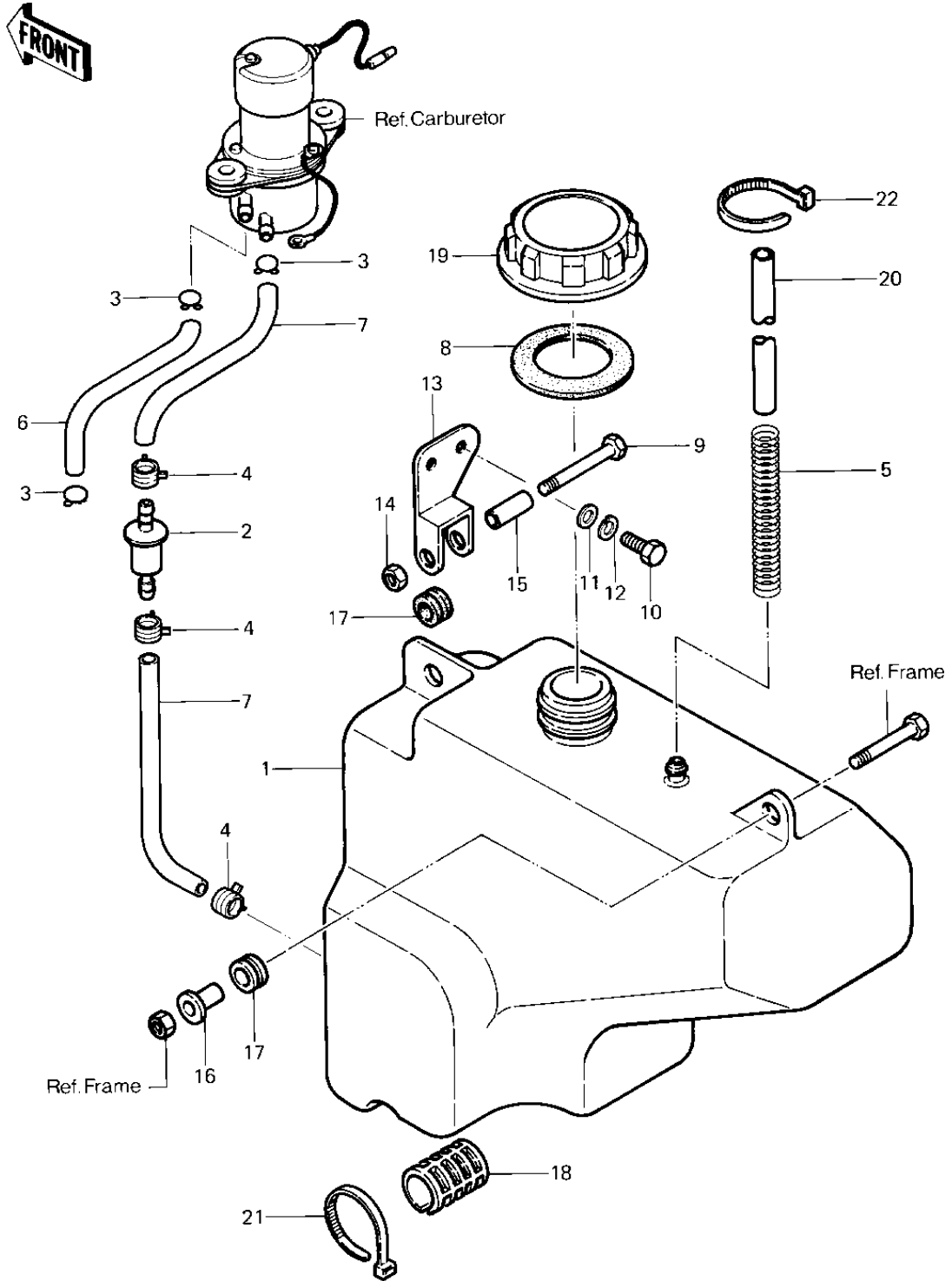


1983 KLT200 PARTS DIAGRAM

FUEL TANK



1983 KLT200 PARTS LIST

FUEL TANK

ITEM NAME	PART NUMBER	QUANTITY
TANK-FUEL,GRAY (Ref # 1)	51001-4003-8L	1
FILTER-FUEL (Ref # 2)	49019-4001	1
CLAMP,TUBE (Ref # 3)	92037-1682	3
CLAMP (Ref # 4)	92037-4009	3
SPRING (Ref # 5)	92081-4011	1
TUBE,5.3X10.5X450 (Ref # 6)	92059-4030	1
TUBE,5.3X10.5X85 (Ref # 7)	92059-4029	2
GASKET,FUEL TANK CAP (Ref # 8)	11009-3020	1
BOLT-SMALL-UPSET,8X30 (Ref # 9)	115G0830	1
BOLT-UPSET,6X12 (Ref # 10)	112G0612	2
WASHER PLAIN 6MM (Ref # 11)	411B0600	2
WASHER SPRING 6MM (Ref # 12)	461F0600	2
BRACKET-TANK (Ref # 13)	32052-4010	1
NUT,LOCK,8MM (Ref # 14)	92015-1124	1
SPACER FUEL TANK MONT (Ref # 15)	92027-012	1
COLLAR,FUEL TANK FITT (Ref # 16)	92027-1134	1
DAMPER RUBB TANK FRNT (Ref # 17)	92075-013	2
DAMPER RUBBER (Ref # 18)	92075-084	2
CAP,FUEL TANK (Ref # 19)	51049-3001	1
TUBE (Ref # 20)	92059-4033	1
BAND (Ref # 21)	92072-3505	2
BAND (Ref # 22)	92072-4004	3