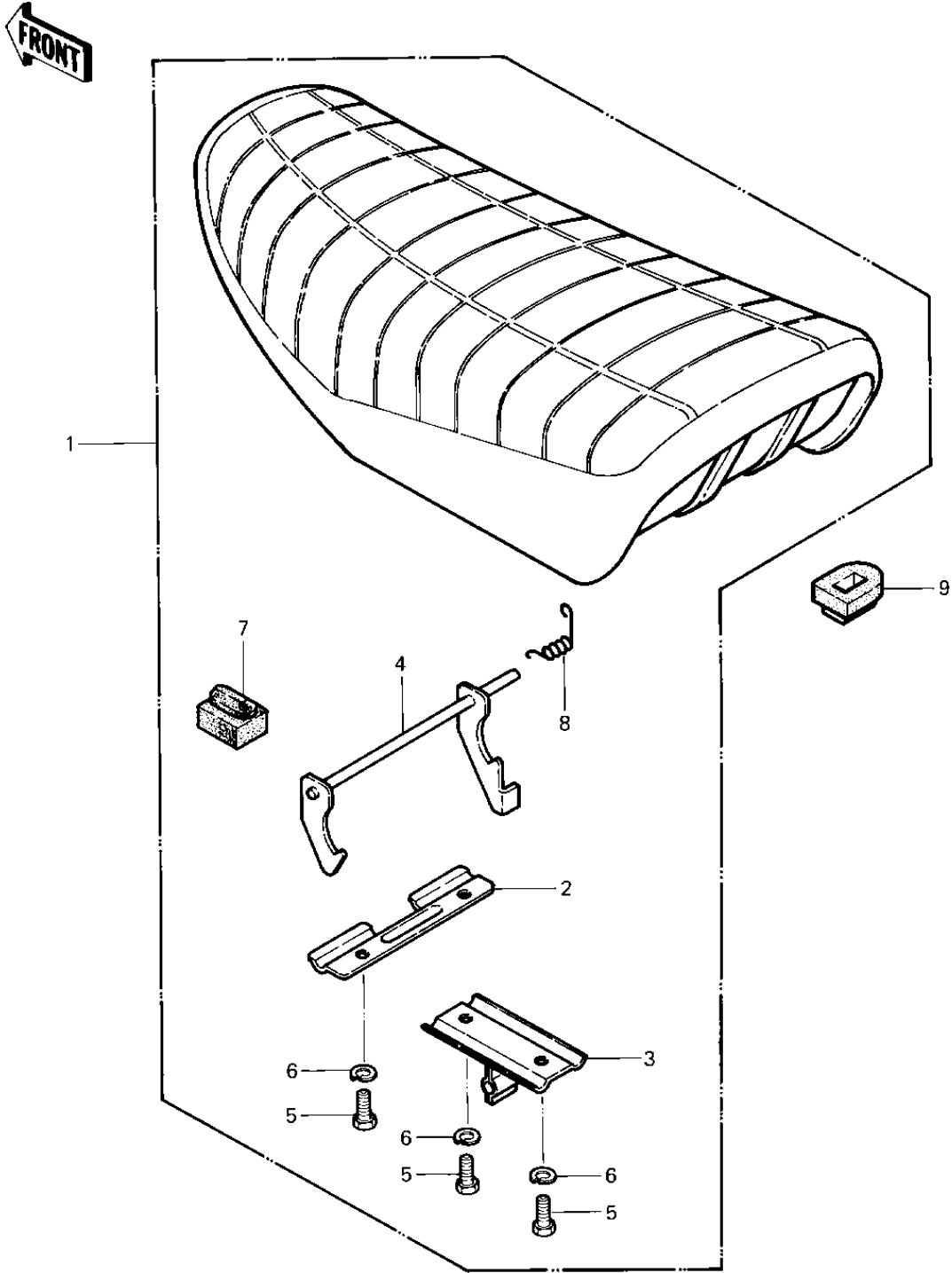


1983 KLT200 PARTS DIAGRAM

SEAT



1983 KLT200 PARTS LIST

SEAT

ITEM NAME	PART NUMBER	QUANTITY
SEAT-ASSY (Ref # 1)	53001-4013	1
BRACKET,SEAT (Ref # 2)	11034-4048	1
GUIDE-SEAT (Ref # 3)	13070-4002	2
LEVER SEAT (Ref # 4)	13236-4002	1
BOLT-UPSET,6X16 (Ref # 5)	112G0616	6
WASHER SPRING 6MM (Ref # 6)	461F0600	6
DAMPER RUBBER (Ref # 7)	92075-099	4
SPRING (Ref # 8)	92081-4017	1
DAMPER RUBBER FUEL TA (Ref # 9)	92075-295	2